

# HITACHI

## SERVICE MANUAL

SC

No. 0018E

# PDV-1021S



### Caution

Be sure to read this manual before servicing. To assure safety from fire, electric shock, injury harmful radiation and materials, various measures are provided in this Hitachi portable DVD player.

Be sure to read the cautionary items described in the manual to maintain safety before servicing.

### Service warning

1. Do not attempt to modify this product in any way and never perform customized installations without manufacturer's approval. Unauthorized modifications will not only void the warranty, but may lead to your being liable for any resulting property damage or user injury.
2. Service work should be performed only after you are thoroughly familiar with all of the following safety checks and servicing guidelines. To do otherwise, increase the risk of potential hazards and injury to the user.
3. While servicing, use an isolation transformer for protection from A.C. line shock.

### Contents

|                                |                                   |
|--------------------------------|-----------------------------------|
| * SAFETY NOTICE.....2          | * PCB WIRING DIAGRAMS.....10-12   |
| * PRODUCT SPECIFICATIONS.....3 | * BLOCK DIAGRAM.....13            |
| * FUNCTIONAL OVERVIEW.....4-6  | * SCHEMATIC DIAGRAMS.....14-17    |
| * CONNECTIONS.....7-8          | * TROUBLESHOOTING.....18-20       |
| * WIRING DIAGRAM .....9        | * REPLACEMENT PART LIST.....21-36 |

---

**SPECIFICATIONS AND PARTS ARE SUBJECT TO CHANGE FOR IMPROVEMENT**

---

**Portable DVD player**

---

# SAFETY NOTICE

---

## LASER BEAM CAUTION LABEL

- レンズには絶対に触れないでください。
- DO NOT TOUCH THE LENS.
- LINSE NICHT BRÜHREN.
- NE PAS TOUCHER LA LENTILLE.

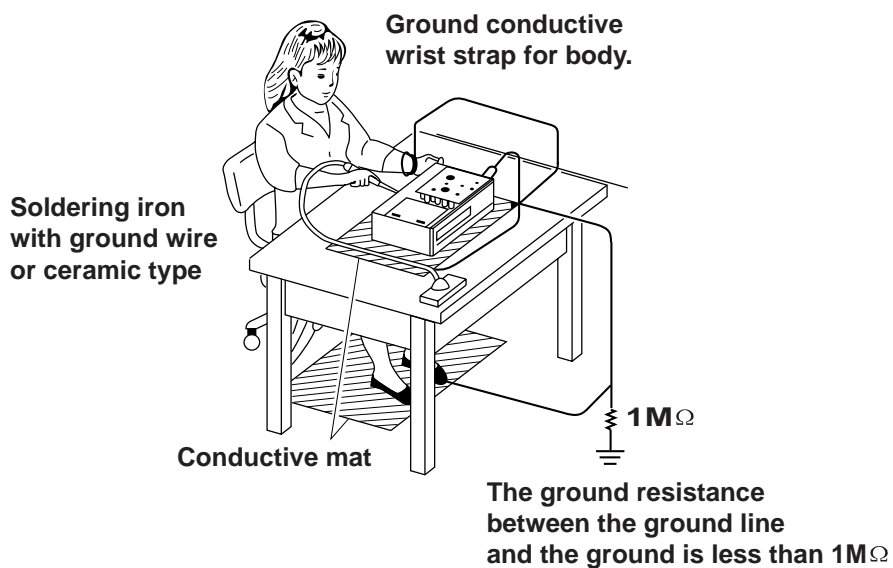
When the power supply is being turned on, please don't remove this laser cautions label. If it removes, radiation of laser may be received.

## PREPARATION OF SERVICING

Pickup Head consists of a laser diode that is very susceptible to external static electrocity.

When replacing, please use a conductive mat, soldering iron with ground to protect the laser from damaged by static electricity.

Please apply the same procedure when repair IC.



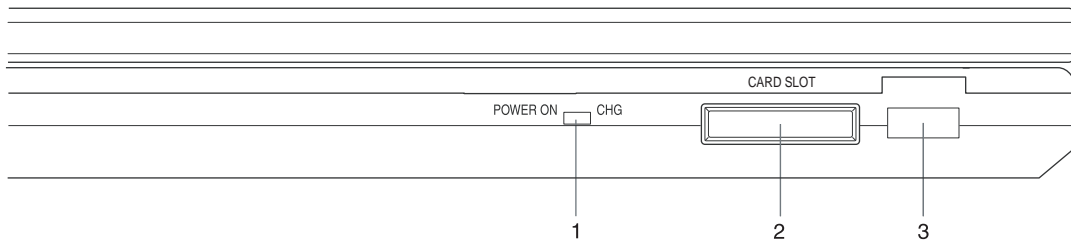
## PRODUCT SPECIFICATIONS

---

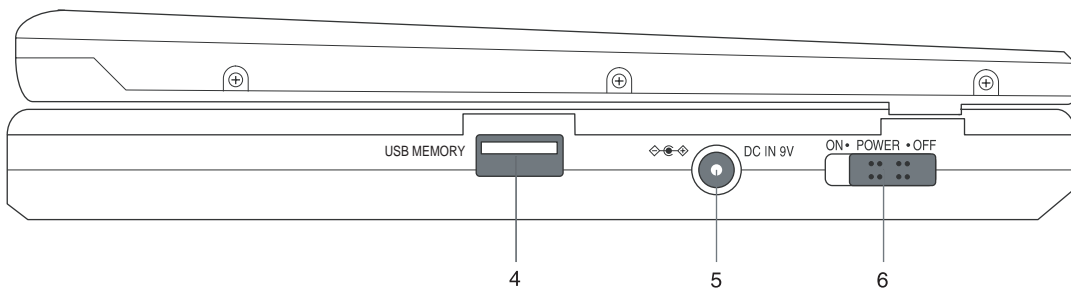
|                                |                             |
|--------------------------------|-----------------------------|
| Laser Wavelength               | 650nm                       |
| Video System                   | PAL/AUTO/NTSC               |
| Frequency Response             | 20Hz ~ 20kHz (+/-1.0dB)     |
| Signal/noise Ratio             | >= 95 dB                    |
| Audio Distortion + Noise       | <= -80 dB (1kHz)            |
| Channel Separation             | >= 85 dB                    |
| Dynamic Range                  | >= 85dB                     |
| Output                         | Output Level: 2V +/- 10%    |
| Audio Output (Analogue Audio)  | Load Impedance: 10 k ohm    |
| Digital Output (Digital Audio) | Output Level: 0.5Vp-p       |
| Video Output                   | Output Level: 1Vp-p +/- 20% |
|                                | Load Impedance: 75 ohm      |
| Operating Temperature Range    | 5 ~ 35 °C                   |
| Power Supply                   | DC 9V 2.2A                  |
| Power Consumption              | <= 20W                      |
| Dimension (WxHxD)              | 257 x 32 x 169 mm           |
| Weight                         | 1.2kg                       |

# FUNCTIONAL OVERVIEW

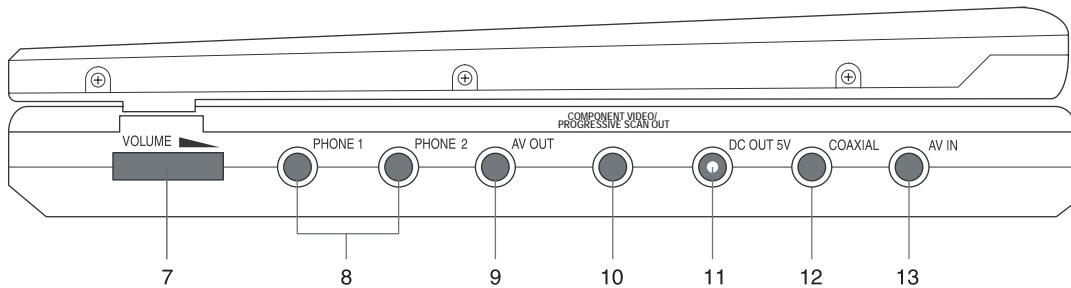
## Front of Player



## Left of Player

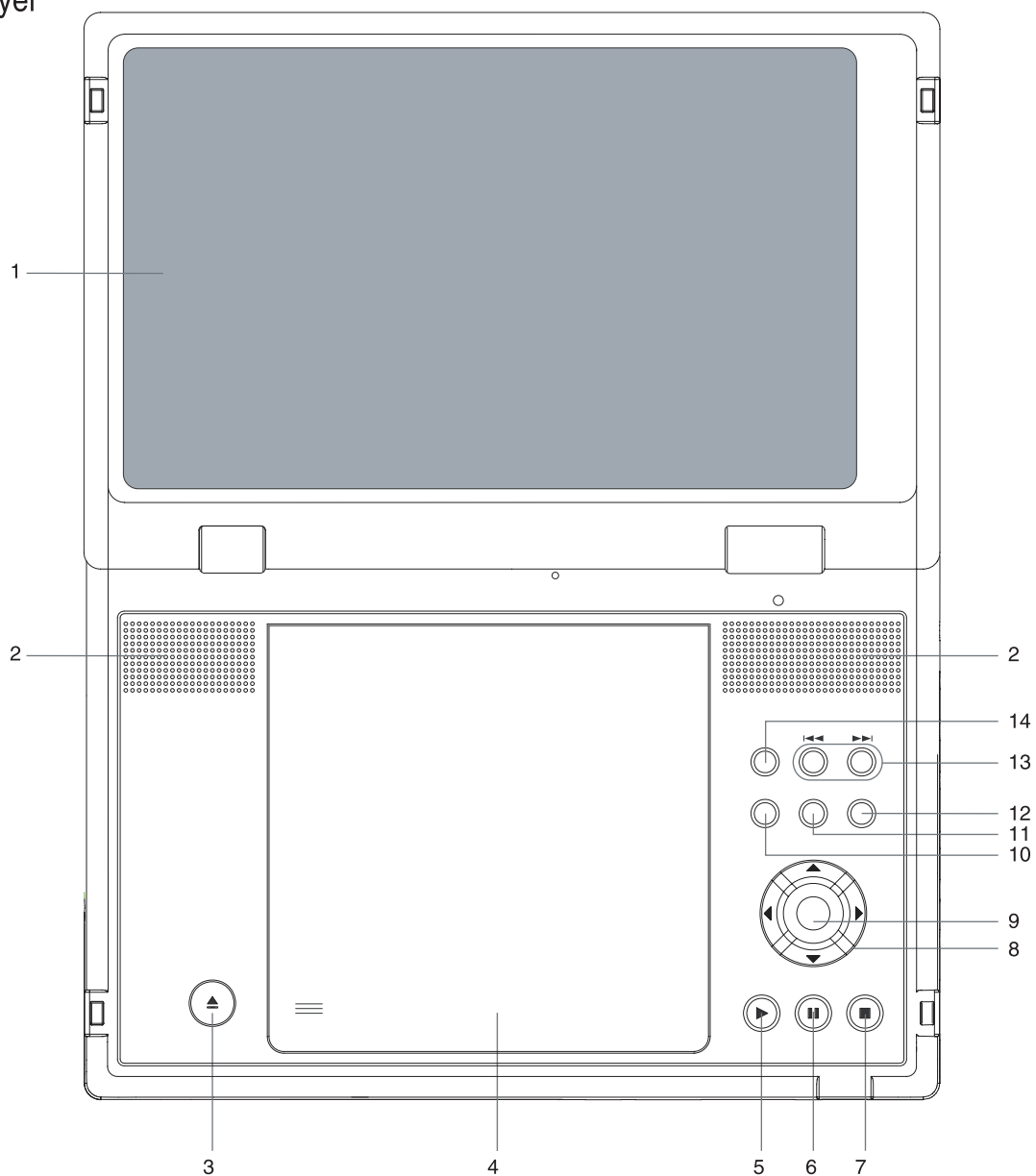


## Right of Player



- |   |   |
|---|---|
| 1. <b>POWER ON/CHG</b><br>Power and charging indicator. | 7. <b>VOLUME</b><br>Volume control.               |
| 2. <b>CARD SLOT</b><br>Memory card slot.                | 8. <b>PHONE 1 &amp; 2</b><br>Earphone jacks.      |
| 3. <b>REMOTE SENSOR</b>                                 | 9. <b>AV OUT</b>                                  |
| 4. <b>USB MEMORY</b><br>USB port.                       | 10. <b>COMPONENT VIDEO / PROGRESSIVE SCAN OUT</b> |
| 5. <b>DC IN 9V</b><br>Power supply jack.                | 11. <b>DC OUT 5V</b>                              |
| 6. <b>POWER ON / OFF</b><br>Turn the player on or off.  | 12. <b>COAXIAL</b><br>Digital audio output jack.  |
|   | 13. <b>AV IN</b>                                  |

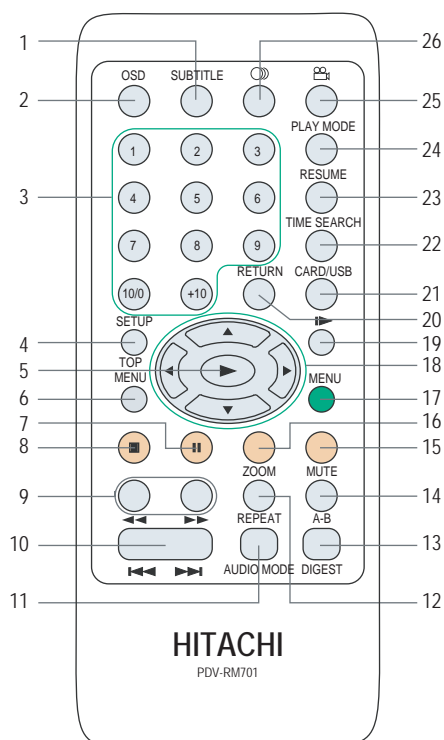
## Top of Player



1. LCD SCREEN
2. SPEAKER
5. PLAY ( ▶ )
3. OPEN ( ▲ )
4. DISC DOOR
6. PAUSE ( || )
7. STOP ( ■ )

8. DIRECTION BUTTONS
9. ENTER
10. MONITOR
11. USB/CARD
12. MENU
13. PREV/NEXT ( ◀◀/▶▶ )
14. SOURCE

## Remote Control



- |   |  |
|---|--|
| 1. SUBTITLE                               | 14. REPEAT A-B                             |
| 2. OSD (ON-SCREEN DISPLAY)                | 15. MUTE                                   |
| 3. NUMBER BUTTONS                         | 16. ZOOM                                   |
| 4. SETUP                                  | 17. MENU                                   |
| 5. PLAY ( ▶ )                             | 18. DIRECTION BUTTONS                      |
| 6. TOP MENU                               | 19. SLOW-MOTION PLAY ( ▶▶ )                |
| 7. PAUSE (    )                           | 20. RETURN (not applicable to this player) |
| 8. STOP ( ■ )                             | 21. CARD/USB                               |
| 9. FAST BACKWARD/FAST FORWARD ( ◀◀ / ▶▶ ) | 22. TIME SEARCH                            |
| 10. PREV/NEXT ( ◀◀ / ▶▶ )                 | 23. RESUME                                 |
| 11. AUDIO MODE                            | 24. PLAY MODE                              |
| 12. REPEAT                                | 25. ANGLE ( 📺 )                            |
| 13. DIGEST                                | 26. AUDIO LANGUAGE ( 🔊 )                   |

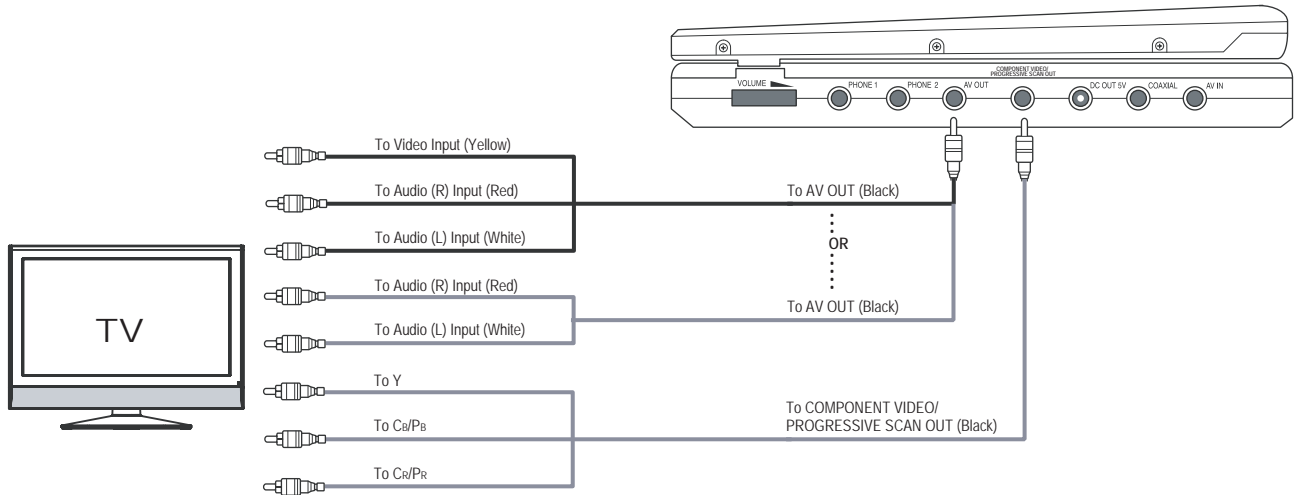
# CONNECTIONS

Before using the player, you may connect the player to a TV and/or an amplifier, a video game console or an optional TV tuner.

**NOTE:**

Turn off the power supply to the player and the equipments before making any connection.

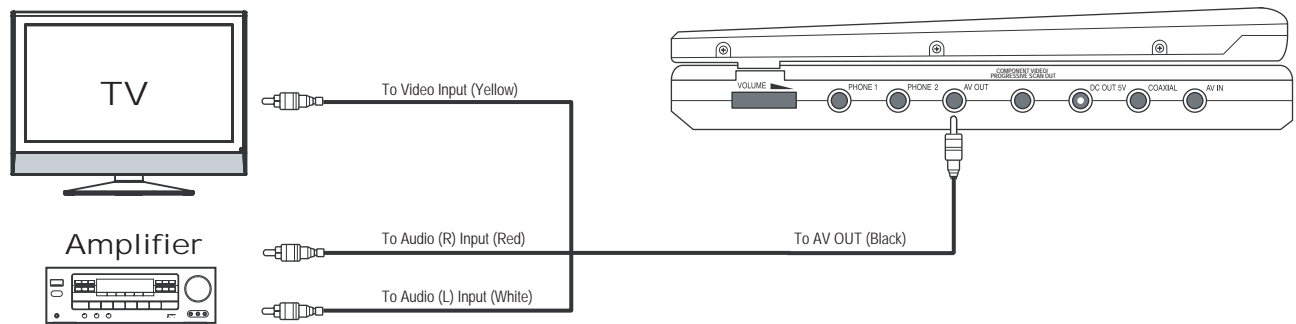
## Connecting to a TV



**NOTE:**

- For connection through AV OUT, Press **SOURCE** button repeatedly to select AV out when you turn on the player.
- For connection through COMPONENT VIDEO / PROGRESSIVE SCAN OUT, Press **SOURCE** button repeatedly to select YCbCr or YPbPr out when you turn on the player.

## Connecting to a TV and an Amplifier



**NOTE:**

- When you turn on the player, press **SOURCE** button repeatedly to select AV OUT.

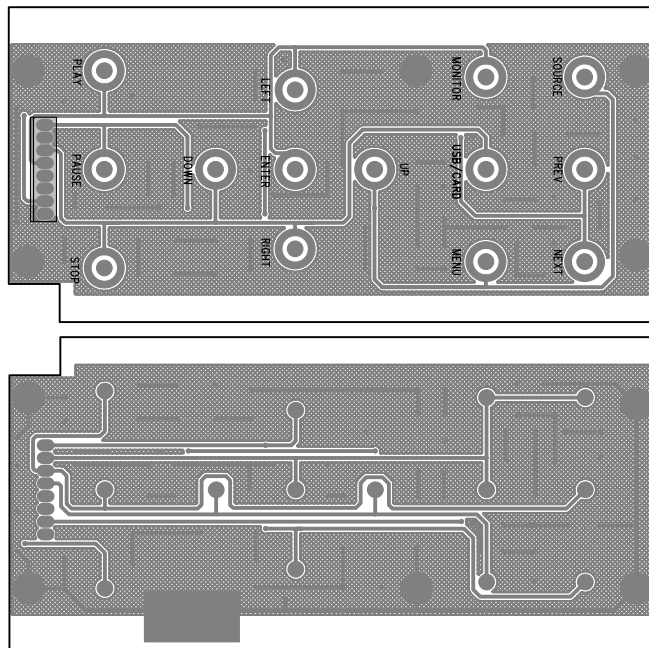




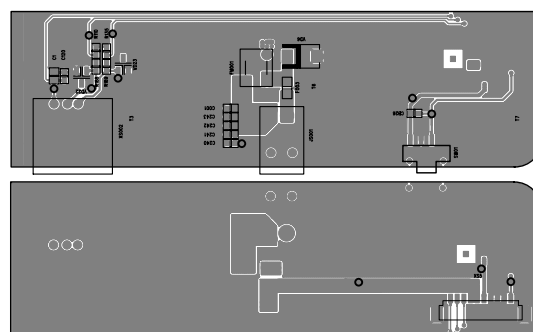


# PCB WIRING DIAGRAMS

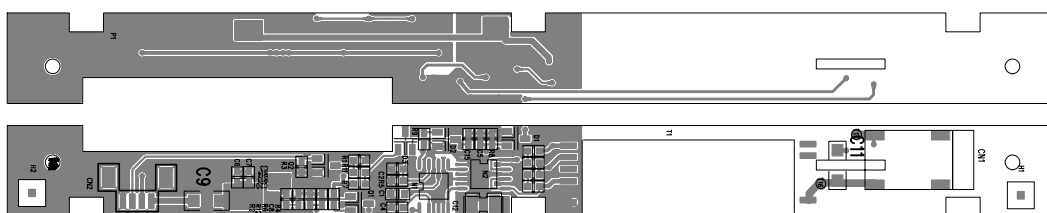
## FUNCTION BUTTON PCB



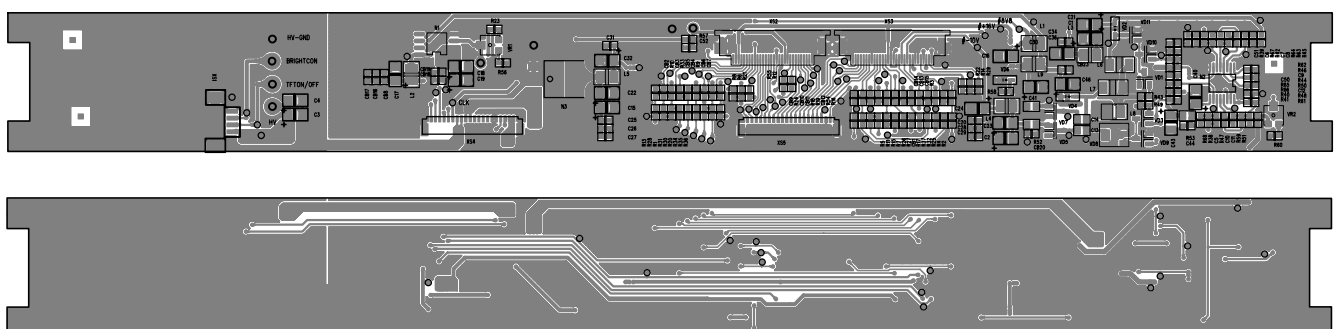
## POWER SWITCH PCB



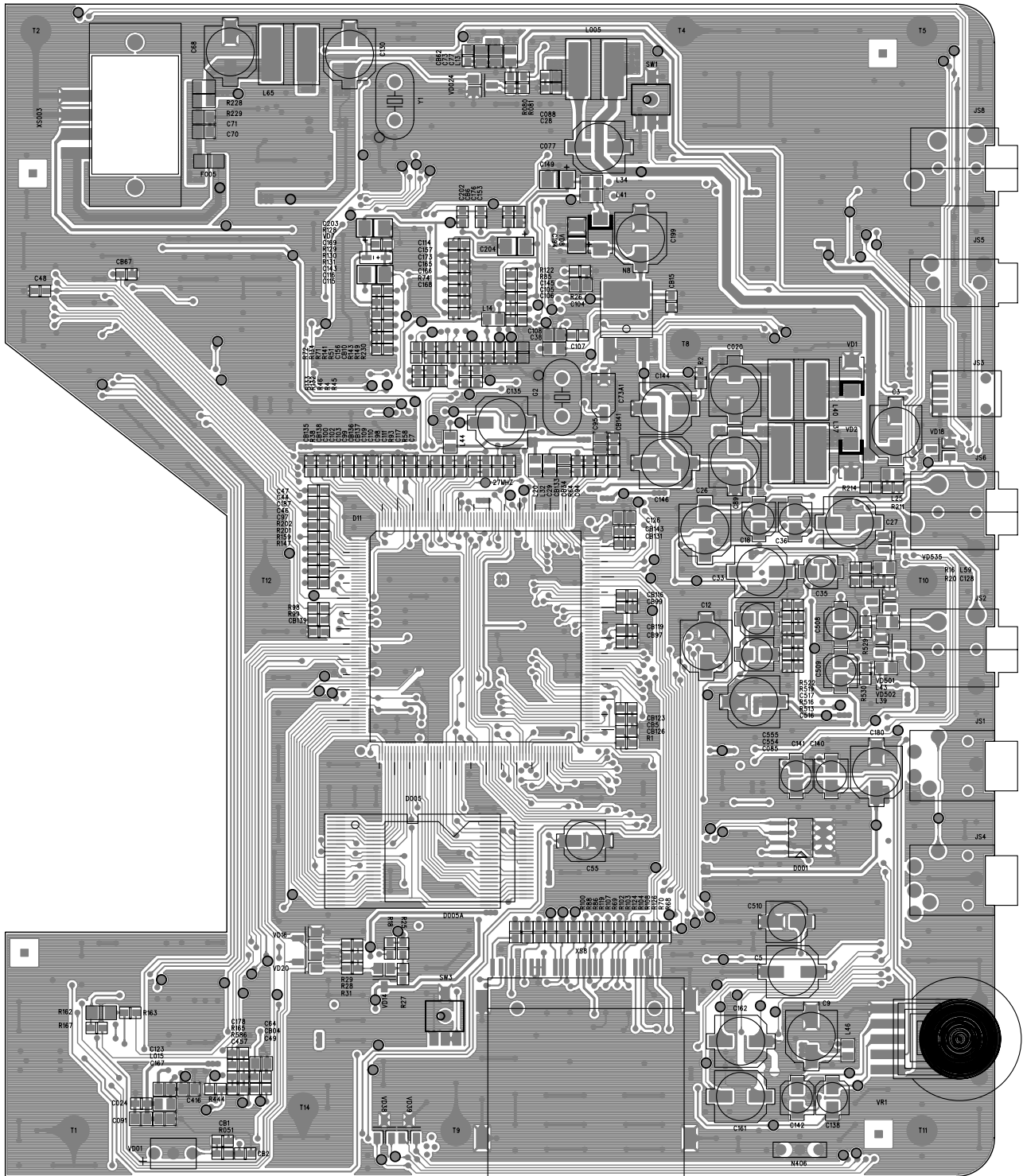
## HV PCB



## IF PCB

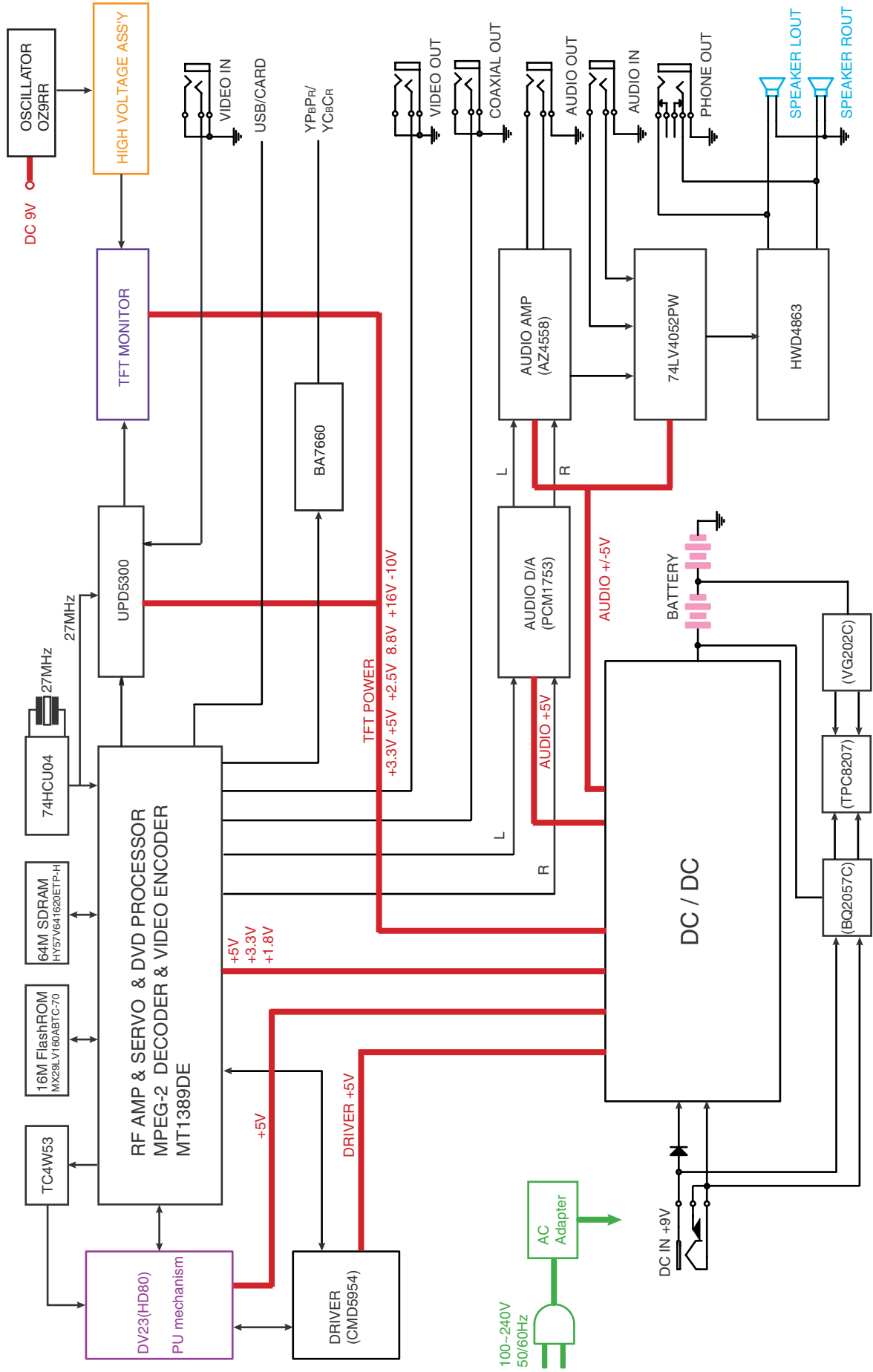


# MAIN PCB (TOP)



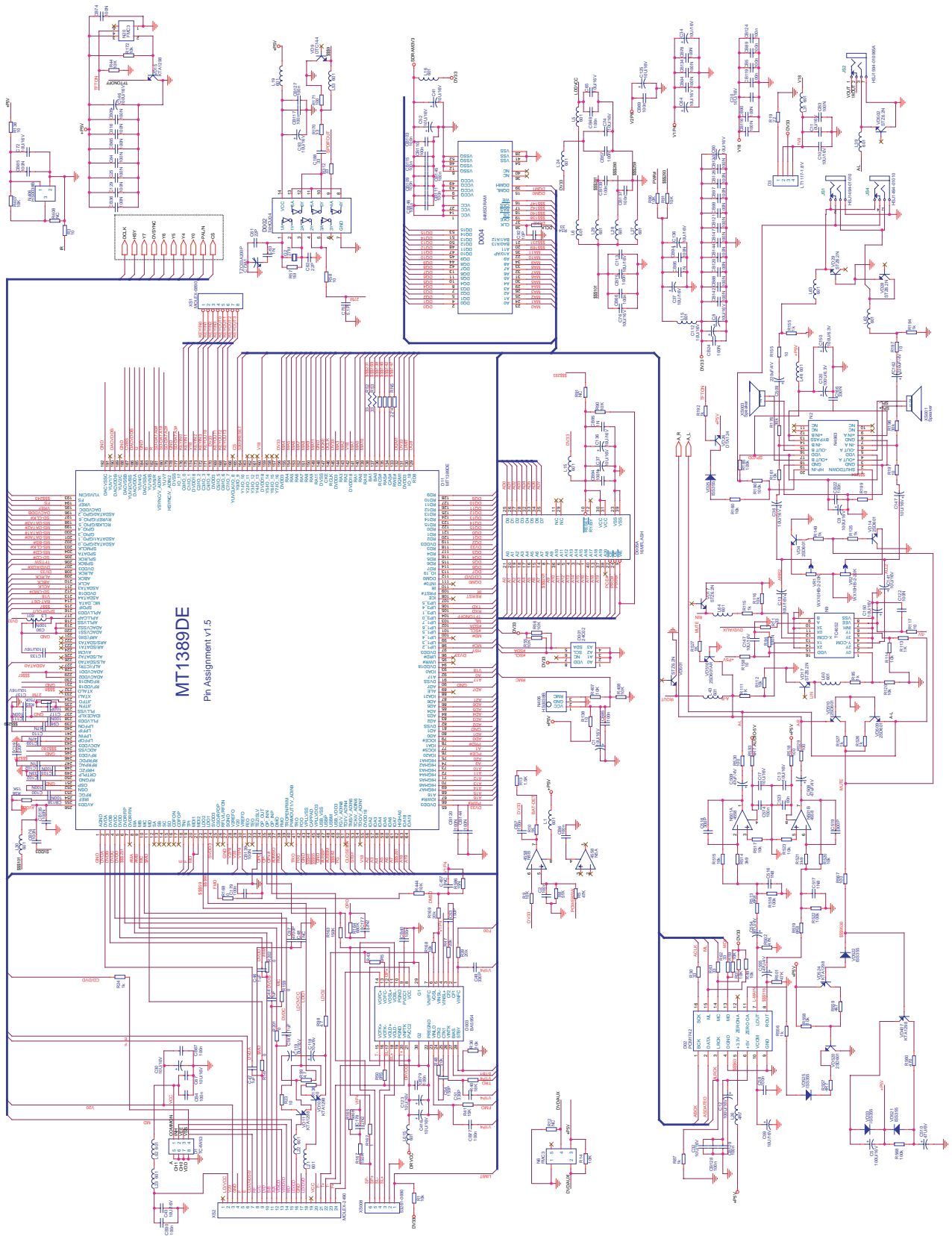


# BLOCK DIAGRAM



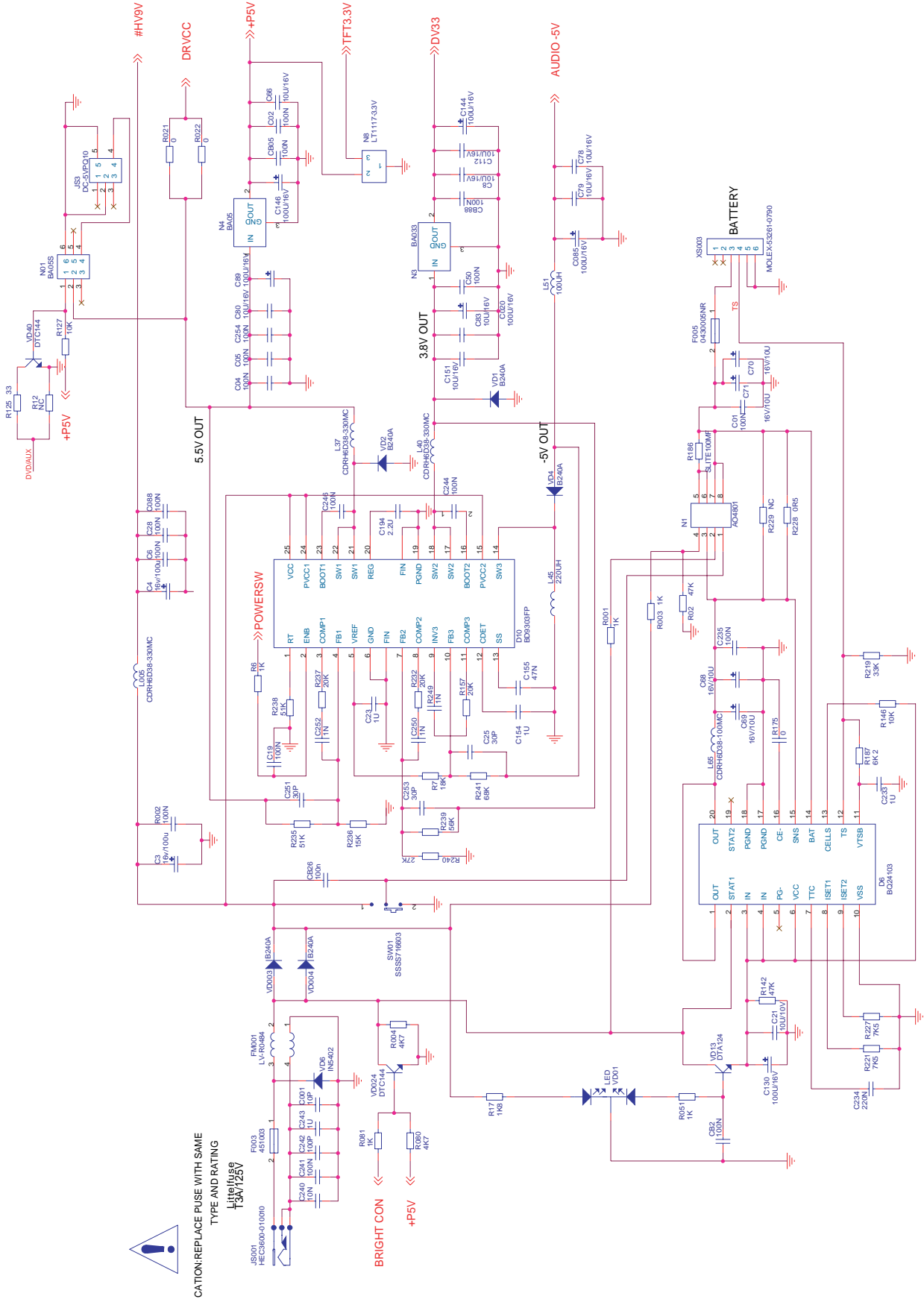
# SCHEMATIC DIAGRAMS

## MAIN PCB CIRCUIT DIAGRAM 1





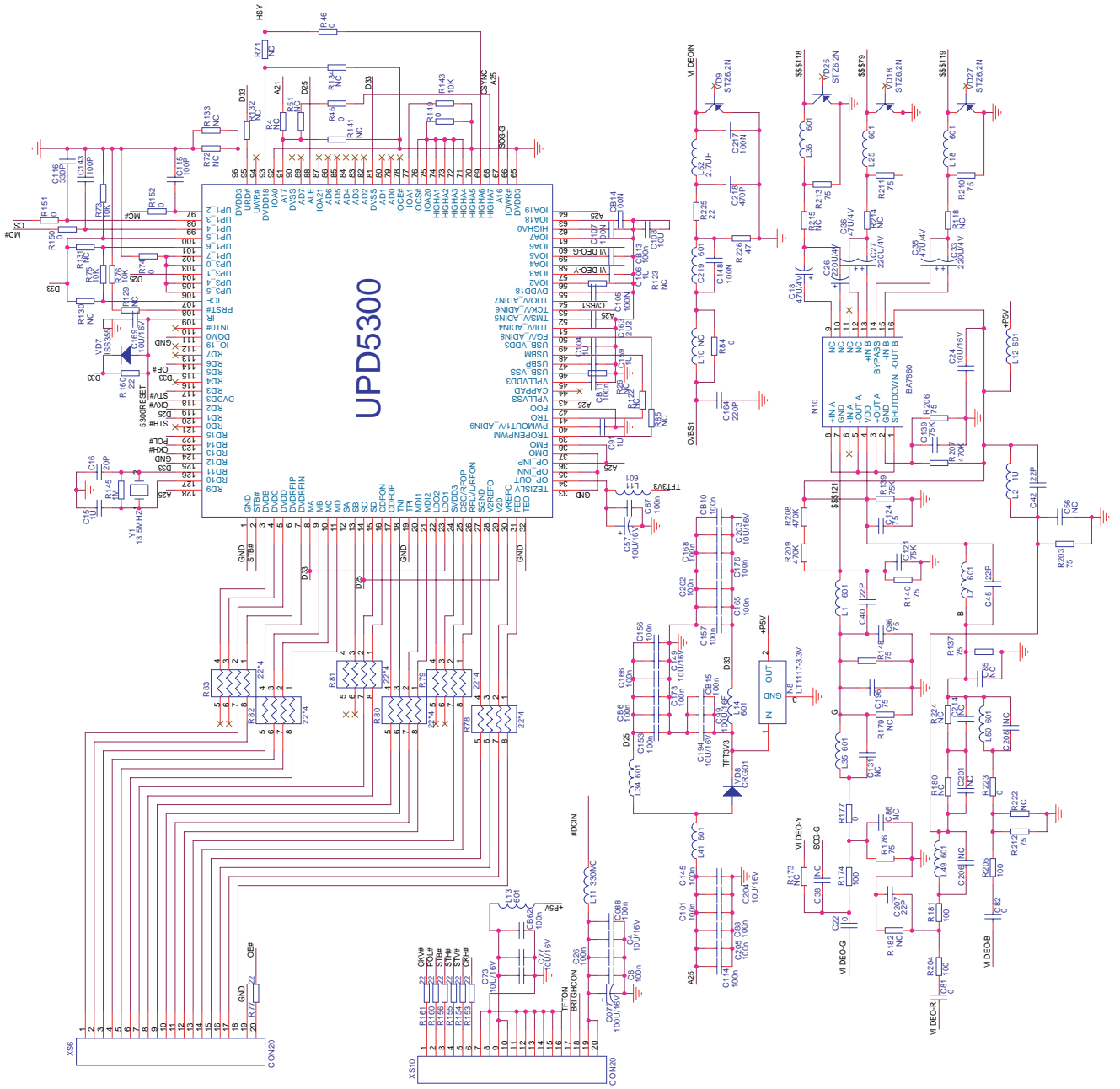
# MAIN PCB CIRCUIT DIAGRAM 2



**CAUTION: REPLACE PULSE WITH SAME TYPE AND RATING**  
**1.5A/125V**

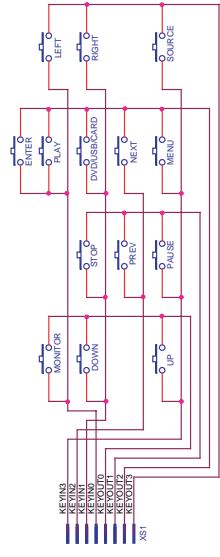
**BRIGHT COON**  
**+5V**

# MAIN PCB CIRCUIT DIAGRAM 3

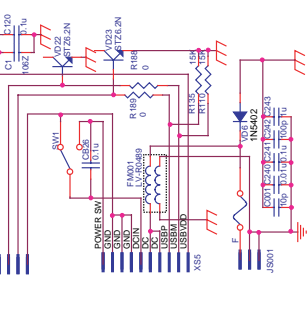




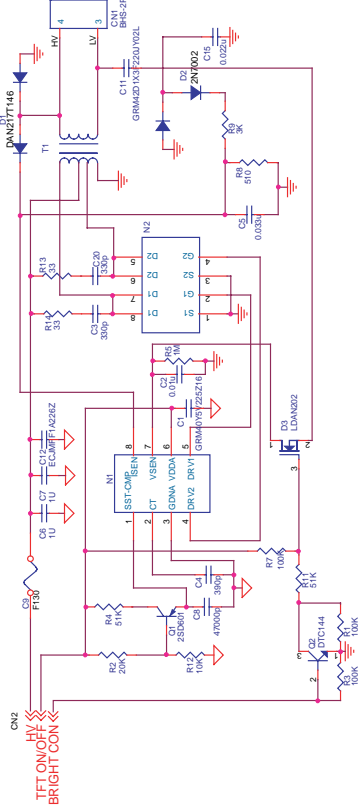
### FUNCTION BUTTON PCB CIRCUIT DIAGRAM



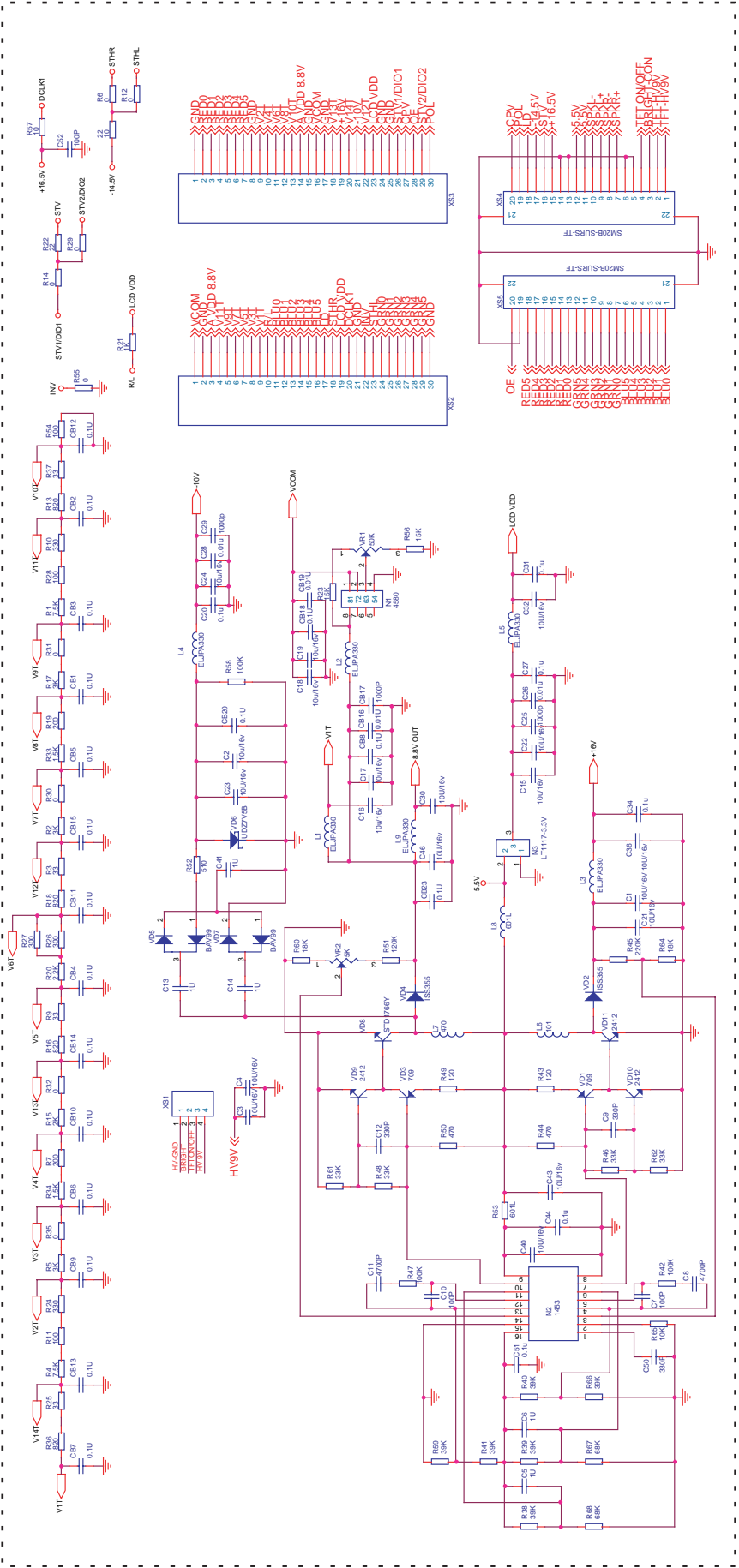
### POWER SWITCH PCB CIRCUIT DIAGRAM



### HV PCB CIRCUIT DIAGRAM

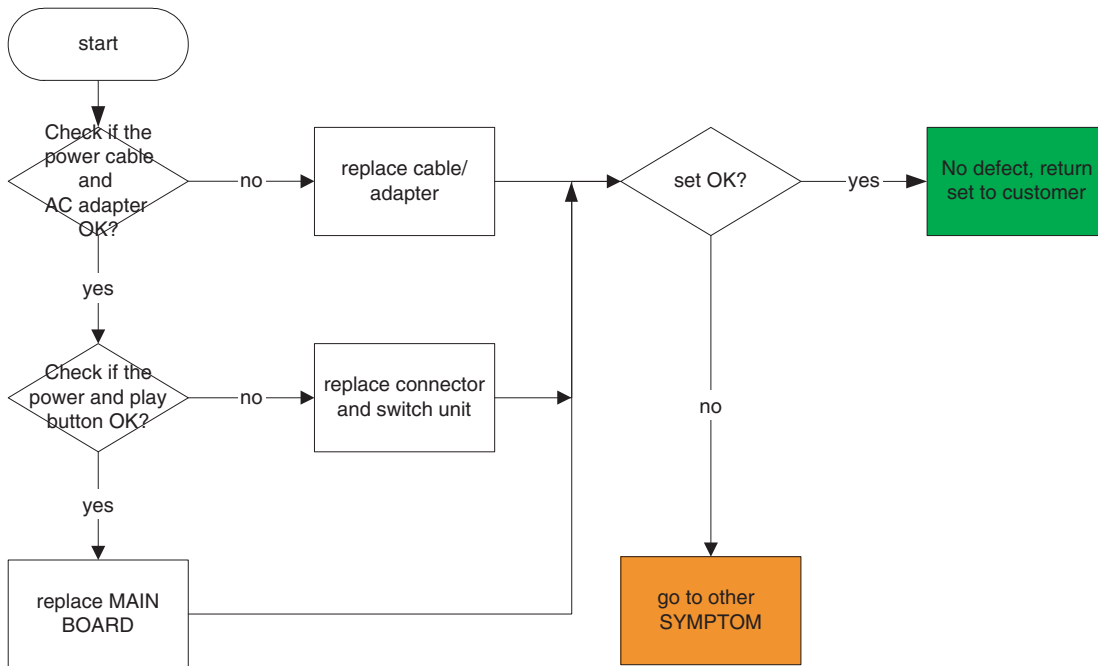


### IF PCB CIRCUIT DIAGRAM

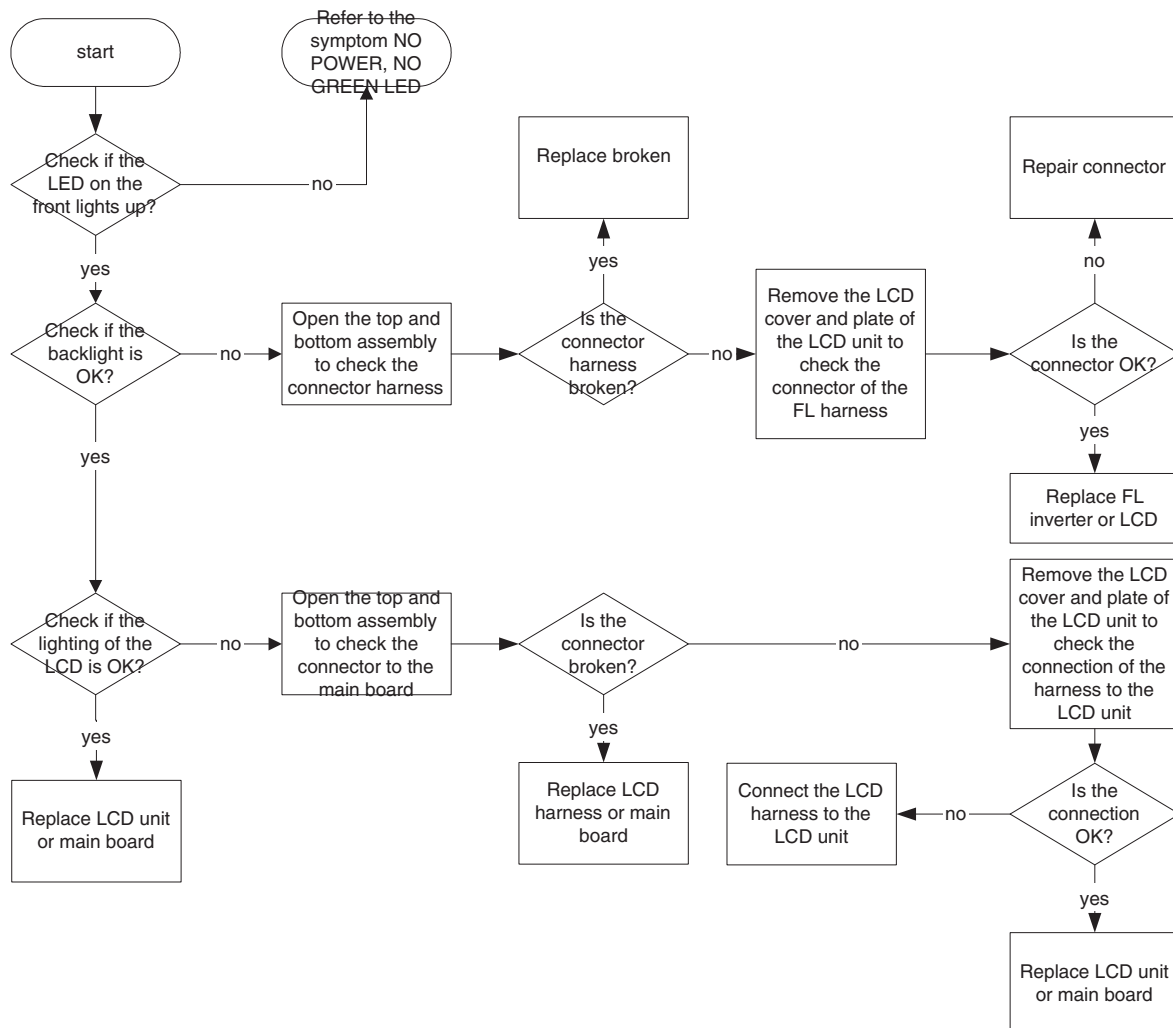


# TROUBLESHOOTING

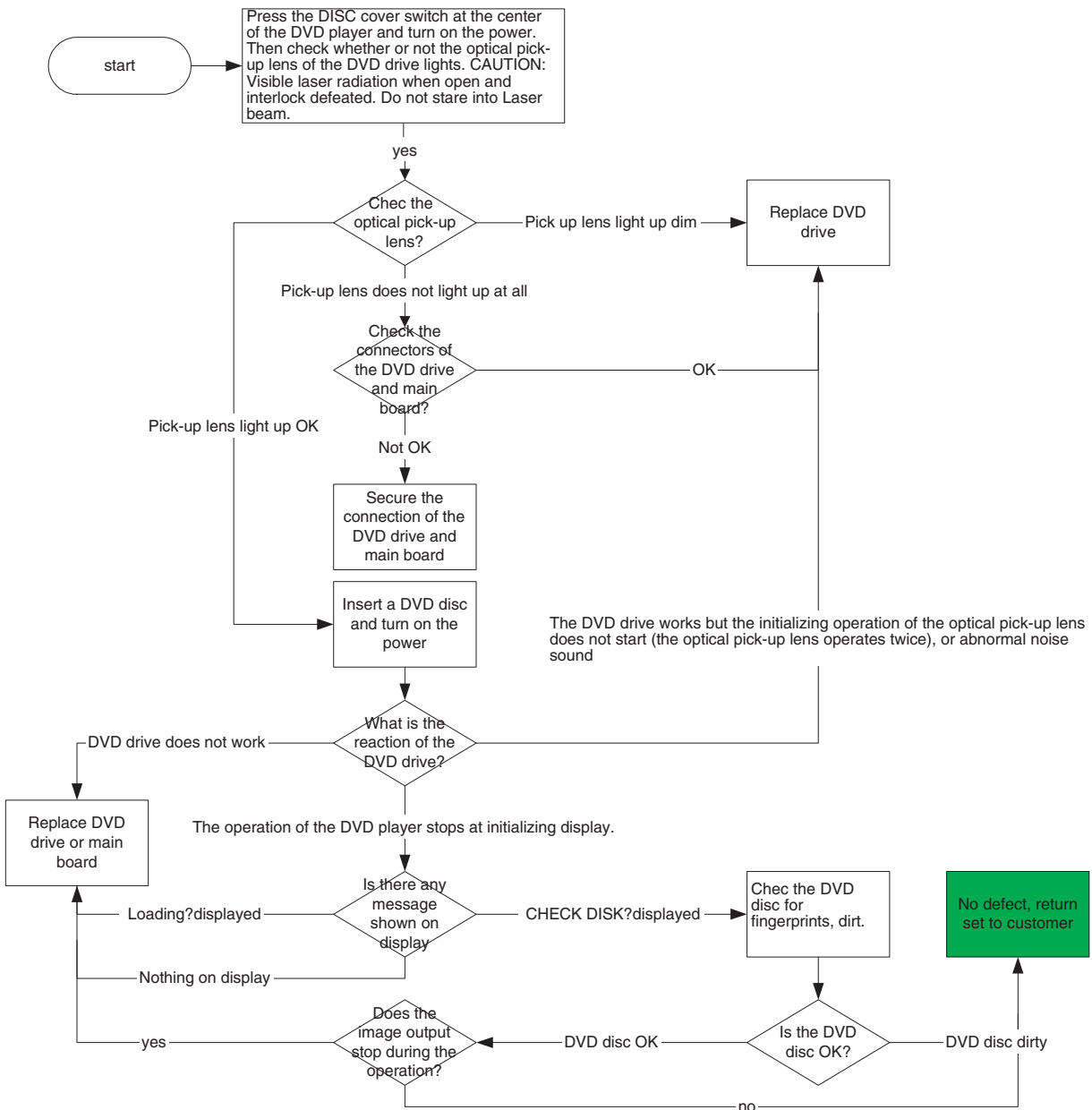
## SYMPTOM: NO POWER, NO GREEN LED



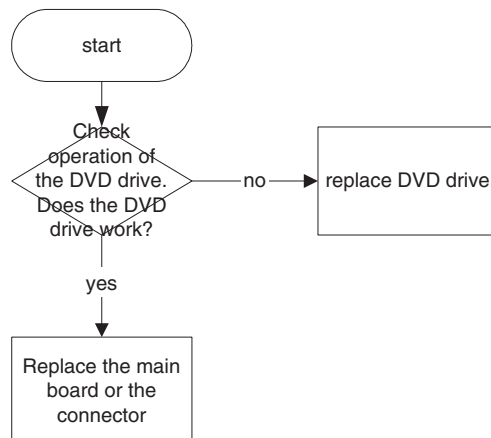
## SYMPTOM: THE INITIAL SCREEN IS NOT DISPLAYED ON THE LCD



## SYMPTOM: THE DVD DRIVE DOES NOT WORK

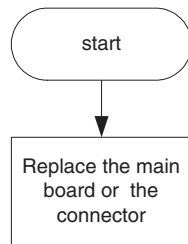


## SYMPTOM: NO IMAGE OR SOUND COMES OUT FROM THE EXTERNAL OUTPUT

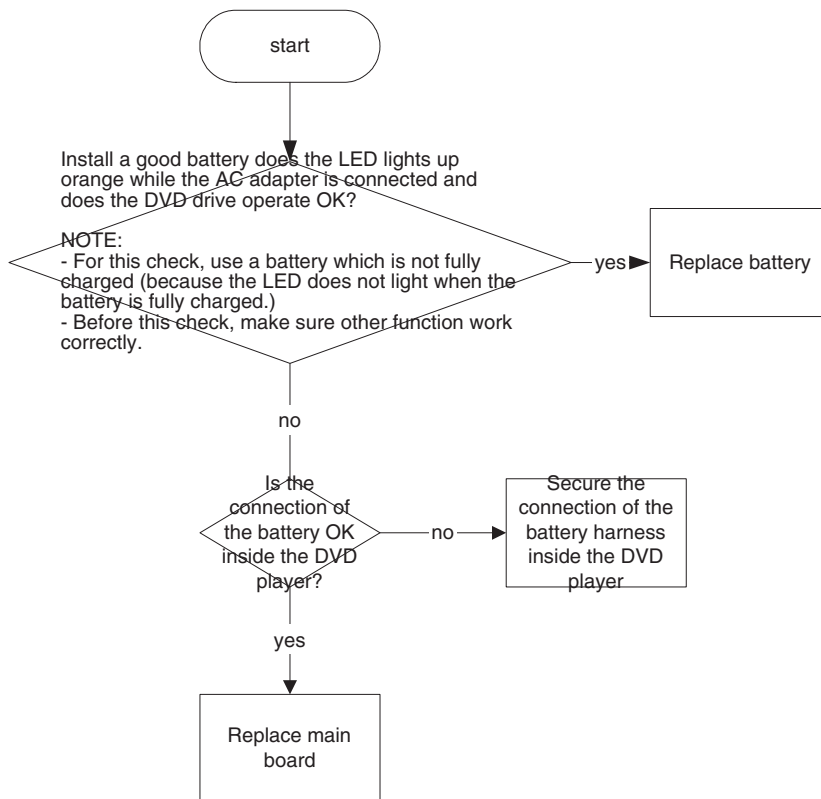


---

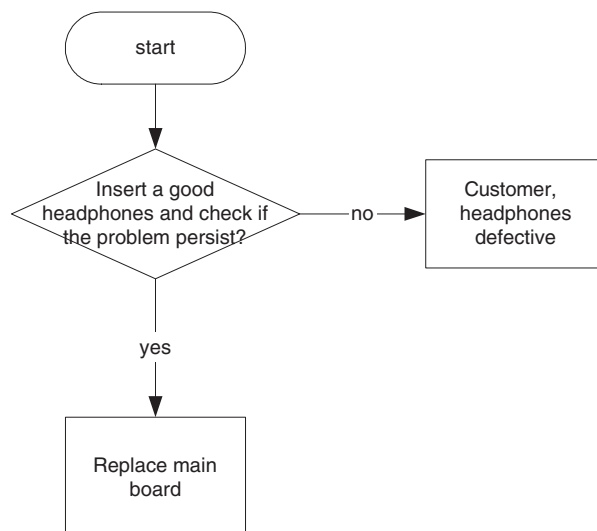
**SYMPTOM: NO IMAGE OR SOUND COMES OUT FROM THE EXTERNAL INPUT**



**SYMPTOM: THE DVD DRIVE DOES NOT OPERATE WITH BATTERY**







**SYMPTOM: NO SOUND COMES FROM THE HEADPHONES**



# REPLACEMENT PART LIST

The following service parts list are available for purchase. Serviceman may quote the components shown in this page for servicing purposes.

PRODUCT SAFETY NOTE : Components marked with a  have special characteristics important to safety. The use of a substitute replacement part which does not have the same safety characteristics may create shock, fire or other hazards. Don't degrade the safety of the receiver through improper servicing.

| SYMBOL No.   | PART No.   | DESTRPTIONS              |
|--|------------|--------------------------|
| <u>PWB ASSY</u>  |            |                          |
|  | YZE11079Q  | RB-LI27 LITHIUM BATTERY  |
|  | YZE21424   | HV PCB ASSY              |
|  | YZE22197   | FUNCTION PCB ASSY        |
|  | YZE21819   | IF PCB ASSY              |
|  | YZE22190   | MAIN PCB ASSY            |
| <u>MISCELLANEOUS</u>   |            |                          |
|       | YZEA7397   | TFT LCD PANEL            |
|  F003 | YZEP60088A | FUSE F1206SB3000V032T    |
|       | YZES0577J  | ADPV18A AC POWER ADAPTER |
|  | YZES06159  | R/C HANDSET PDV-RM701    |

## REPLACEMENT PART LIST ( FOR REFERENCE ONLY)

The components shown in the remaining pages served as a reference only. It is not meant for ordering of components for servicing purposes. Do not quote any components from these lists.

| PART No.                    | PART NAME                        | Q'TY |
|-----------------------------|----------------------------------|------|
| <b>PDV-1021S(Singapore)</b> |                                  |      |
| YZE11079Q                   | RB-LI27 LITHIUM BATTERY          | 1    |
| YZE21424                    | DVD1200H HV PCB ASS'Y            | 1    |
| YZE21819                    | PET-1000T IF PCB ASS'Y           | 1    |
| YZE22190                    | DVD1210M-B MAIN PCB ASS'Y        | 1    |
| YZE22197                    | PDV-1021S FUNCTION PCB ASS'Y     | 1    |
| !YZEA7397                   | A102VW01 TFT LCD                 | 1    |
| YZES00112B                  | HITACHI 10.2" TRAVEL BAG         | 1    |
| YZES0535B                   | CAR CIGARETTE ADAPTER            | 1    |
| !YZES0577K                  | ADPV18A AC POWER ADAPTER         | 1    |
| YZES06159                   | PDV-RM701 REMOTE                 | 1    |
| YZES14211A                  | PDV-1021S OWNER MANUAL (ENGLISH) | 1    |
| YZES14211B                  | PDV-1021S OWNER MANUAL (CHINESE) | 1    |
| YZES2839                    | LGK-G1628-161D                   | 1    |
| YZES30918                   | DVD1210A SPEAKER CONNECT WIRE    | 1    |
| YZES3421B                   | 20PINHARNESS(L160)               | 1    |
| YZES3421C                   | 20PINHARNESS-5-PF(L140)          | 1    |
| YZES3544                    | SD-P1200 SPEAKER CONNECT WIRE    | 1    |
| YZES3736                    | DVD1731A HV CONNECT WIRE         | 1    |
| YZES3747                    | DVD1712A RCA CORD AV             | 1    |
| YZES3792                    | CHROMATISM WIRE                  | 1    |
| YZES4360B                   | EARPHONE                         | 1    |
| YZES5006A                   | 28CR SPEAKER                     | 2    |
| YZES8115A                   | DV23 LOADING ASS'Y               | 1    |

The components shown in the remaining pages served as a reference only. It is not meant for ordering of components for servicing purposes. Do not quote any components from these lists.

| PART No.                  | PART NAME                        | Q'TY |
|---------------------------|----------------------------------|------|
| <b>PDV-1021S(Germany)</b> |                                  |      |
| YZE11079Q                 | RB-LI27 LITHIUM BATTERY          | 1    |
| YZE21424                  | DVD1200H HV PCB ASS'Y            | 1    |
| YZE21819                  | PET-1000T IF PCB ASS'Y           | 1    |
| YZE22190                  | DVD1210M-B MAIN PCB ASS'Y        | 1    |
| YZE22197                  | PDV-1021S FUNCTION PCB ASS'Y     | 1    |
| !YZEA7397                 | A102VW01 TFT LCD                 | 1    |
| YZEA7755                  | CCT5902-0701C SOCKET             | 1    |
| YZES00112B                | HITACHI 10.2" TRAVEL BAG         | 1    |
| YZES0535B                 | CAR CIGARETTE ADAPTER            | 1    |
| !YZES0577J                | ADPV18A AC POWER ADAPTER         | 1    |
| YZES06159                 | PDV-RM701 REMOTE                 | 1    |
| YZES14211A                | PDV-1021S OWNER MANUAL (ENGLISH) | 1    |
| YZES14211C                | PDV-1021S OWNER MANUAL (RUSSIA)  | 1    |
| YZES14211D                | PDV-1021S OWNER MANUAL (ARABIA)  | 1    |
| YZES2839                  | LGK-G1628-161D                   | 1    |
| YZES30918                 | DVD1210A SPEAKER CONNECT WIRE    | 1    |
| YZES3421B                 | 20PINHARNESS(L160)               | 1    |
| YZES3421C                 | 20PINHARNESS-5-PF(L140)          | 1    |
| YZES3544                  | SD-P1200 SPEAKER CONNECT WIRE    | 1    |
| YZES3736                  | DVD1731A HV CONNECT WIRE         | 1    |
| YZES3747                  | DVD1712A RCA CORD AV             | 1    |
| YZES3792                  | CHROMATISM WIRE                  | 1    |
| YZES4360B                 | EARPHONE                         | 1    |
| YZES5006A                 | 28CR SPEAKER                     | 2    |
| YZES8115A                 | DV23 LOADING ASS'Y               | 1    |

The components shown in the remaining pages served as a reference only. It is not meant for ordering of components for servicing purposes. Do not quote any components from these lists.

| PART No.              | PART NAME                        | Q'TY |
|-----------------------|----------------------------------|------|
| <b>PDV-1021S(UAE)</b> |                                  |      |
| YZE11079Q             | RB-LI27 LITHIUM BATTERY          | 1    |
| YZE21424              | DVD1200H HV PCB ASS'Y            | 1    |
| YZE21819              | PET-1000T IF PCB ASS'Y           | 1    |
| YZE22190              | DVD1210M-B MAIN PCB ASS'Y        | 1    |
| YZE22197              | PDV-1021S FUNCTION PCB ASS'Y     | 1    |
| !YZEA7397             | A102VW01 TFT LCD                 | 1    |
| YZES00112B            | HITACHI 10.2" TRAVEL BAG         | 1    |
| YZES0535B             | CAR CIGARETTE ADAPTER            | 1    |
| !YZES0577K            | ADPV18A AC POWER ADAPTER         | 1    |
| YZES06159             | PDV-RM701 REMOTE                 | 1    |
| YZES14211A            | PDV-1021S OWNER MANUAL (ENGLISH) | 1    |
| YZES14211D            | PDV-1021S OWNER MANUAL (ARABIA)  | 1    |
| YZES2839              | LGK-G1628-161D                   | 1    |
| YZES30918             | DVD1210A SPEAKER CONNECT WIRE    | 1    |
| YZES3421B             | 20PINHARNESS(L160)               | 1    |
| YZES3421C             | 20PINHARNESS-5-PF(L140)          | 1    |
| YZES3544              | SD-P1200 SPEAKER CONNECT WIRE    | 1    |
| YZES3736              | DVD1731A HV CONNECT WIRE         | 1    |
| YZES3747              | DVD1712A RCA CORD AV             | 1    |
| YZES3792              | CHROMATISM WIRE                  | 1    |
| YZES4360B             | EARPHONE                         | 1    |
| YZES5006A             | 28CR SPEAKER                     | 2    |
| YZES8115A             | DV23 LOADING ASS'Y               | 1    |



The components shown in the remaining pages served as a reference only. It is not meant for ordering of components for servicing purposes. Do not quote any components from these lists.

| REF No.                          | PART No.  | PART NAME          |
|----------------------------------|-----------|--------------------|
| <b>DVD1210M-B MAIN PCB ASS'Y</b> |           |                    |
| RESISTOR                         |           |                    |
| R1                               | YZEP11019 | Resistor chip 100K |
| R2                               | YZEP11013 | Resistor chip 10K  |
| R3                               | YZEP11003 | Resistor chip 10   |
| R4                               | YZEP11000 | Resistor chip 0    |
| R5                               | YZEP11018 | Resistor chip 47K  |
| R6                               | YZEP11009 | Resistor chip 1K   |
| R7                               | YZEP11034 | Resistor chip 18K  |
| R8                               | YZEP11057 | Resistor chip 51K  |
| R9                               | YZEP11013 | Resistor chip 10K  |
| R01                              | YZEP11013 | Resistor chip 10K  |
| R02                              | YZEP11018 | Resistor chip 47K  |
| R03                              | YZEP11009 | Resistor chip 1K   |
| R10                              | YZEP11009 | Resistor chip 1K   |
| R11                              | YZEP11004 | Resistor chip 33   |
| R13                              | YZEP11051 | Resistor chip 1.5K |
| R15                              | YZEP11013 | Resistor chip 10K  |
| R16                              | YZEP11000 | Resistor chip 0    |
| R17                              | YZEP11028 | Resistor chip 1.8K |
| R18                              | YZEP11015 | Resistor chip 15K  |
| R19                              | YZEP11140 | Resistor chip 22   |
| R20                              | YZEP11005 | Resistor chip 75   |
| R21                              | YZEP11013 | Resistor chip 10K  |
| R22                              | YZEP11013 | Resistor chip 10K  |
| R23                              | YZEP11003 | Resistor chip 10   |
| R24                              | YZEP11009 | Resistor chip 1K   |
| R25                              | YZEP11015 | Resistor chip 15K  |
| R27                              | YZEP11015 | Resistor chip 15K  |
| R28                              | YZEP11015 | Resistor chip 15K  |
| R29                              | YZEP11013 | Resistor chip 10K  |
| R30                              | YZEP11004 | Resistor chip 33   |
| R31                              | YZEP11013 | Resistor chip 10K  |
| R32                              | YZEP11015 | Resistor chip 15K  |
| R33                              | YZEP11013 | Resistor chip 10K  |
| R34                              | YZEP11013 | Resistor chip 10K  |
| R35                              | YZEP11012 | Resistor chip 4.7K |
| R36                              | YZEP11013 | Resistor chip 10K  |
| R37                              | YZEP11038 | Resistor chip 39K  |
| R38                              | YZEP11015 | Resistor chip 15K  |

| REF No. | PART No.  | PART NAME          |
|---------|-----------|--------------------|
| R39     | YZEP11035 | Resistor chip 20K  |
| R40     | YZEP11034 | Resistor chip 18K  |
| R41     | YZEP11015 | Resistor chip 15K  |
| R42     | YZEP11013 | Resistor chip 10K  |
| R43     | YZEP11207 | Resistor chip 0.5  |
| R44     | YZEP11013 | Resistor chip 10K  |
| R45     | YZEP11000 | Resistor chip 0    |
| R46     | YZEP11000 | Resistor chip 0    |
| R47     | YZEP11035 | Resistor chip 20K  |
| R48     | YZEP11035 | Resistor chip 20K  |
| R49     | YZEP11013 | Resistor chip 10K  |
| R50     | YZEP11207 | Resistor chip 0.5  |
| R52     | YZEP11004 | Resistor chip 33   |
| R53     | YZEP11004 | Resistor chip 33   |
| R54     | YZEP11004 | Resistor chip 33   |
| R55     | YZEP11013 | Resistor chip 10K  |
| R56     | YZEP11013 | Resistor chip 10K  |
| R57     | YZEP11023 | Resistor chip 1M   |
| R58     | YZEP11003 | Resistor chip 10   |
| R59     | YZEP11013 | Resistor chip 10K  |
| R60     | YZEP11012 | Resistor chip 4.7K |
| R61     | YZEP11012 | Resistor chip 4.7K |
| R62     | YZEP11004 | Resistor chip 33   |
| R63     | YZEP11004 | Resistor chip 33   |
| R64     | YZEP11050 | Resistor chip 560  |
| R65     | YZEP11004 | Resistor chip 33   |
| R66     | YZEP11019 | Resistor chip 100K |
| R67     | YZEP11012 | Resistor chip 4.7K |
| R68     | YZEP11004 | Resistor chip 33   |
| R69     | YZEP11004 | Resistor chip 33   |
| R70     | YZEP11004 | Resistor chip 33   |
| R73     | YZEP11013 | Resistor chip 10K  |
| R74     | YZEP11000 | Resistor chip 0    |
| R75     | YZEP11013 | Resistor chip 10K  |
| R76     | YZEP11013 | Resistor chip 10K  |
| R77     | YZEP11140 | Resistor chip 22   |
| R78     | YZEP11206 | Row of resistor 22 |
| R79     | YZEP11206 | Row of resistor 22 |
| R80     | YZEP11206 | Row of resistor 22 |
| R81     | YZEP11206 | Row of resistor 22 |

The components shown in the remaining pages served as a reference only. It is not meant for ordering of components for servicing purposes. Do not quote any components from these lists.

| REF No.                      | PART No.   | PART NAME              |
|------------------------------|------------|------------------------|
| XS                           | YZEA9482   | DVD1210 10 PINS SOCKET |
| XS1                          | YZEP60081  | 53261-0890             |
| XS2                          | YZEP60038  | GF055-SS-LSS           |
| XS3                          | YZEP60042  | MOLEX-53261-1090       |
| XS4                          | YZEP6975   | MOLEX-53261-0290       |
| XS5                          | YZEP60042  | MOLEX-53261-1090       |
| XS6                          | YZEP60083  | SM20B-SURS-TF-PF       |
| XS8                          | YZEP7050A  | YSMC002AOW             |
| XS10                         | YZEP60083  | SM20B-SURS-TF-PF       |
| XS001                        | YZEP6975   | MOLEX-53261-0290       |
| XS002                        | YZEA7558   | MZ517-4A-4 USB SOCKET  |
| XS003                        | YZEA7545   | DVD1210 MALE SOCKET    |
| XS008                        | YZEP60061  | 53261-0690             |
| <b>DVD1200H HV PCB ASS'Y</b> |            |                        |
| RESISTOR                     |            |                        |
| R1                           | YZEP11019  | Resistor chip 100K     |
| R2                           | YZEP11035  | Resistor chip 20K      |
| R3                           | YZEP11019  | Resistor chip 100K     |
| R4                           | YZEP11057  | Resistor chip 51K      |
| R5                           | YZEP11023  | Resistor chip 1M       |
| R7                           | YZEP11019  | Resistor chip 100K     |
| R8                           | YZEP11117  | Resistor chip 510      |
| R9                           | YZEP11344  | Resistor chip 3K       |
| R11                          | YZEP11057  | Resistor chip 51K      |
| R12                          | YZEP11013  | Resistor chip 10K      |
| R13                          | YZEP11004  | Resistor chip 33       |
| R14                          | YZEP11004  | Resistor chip 33       |
| CAPACITOR                    |            |                        |
| C0                           | YZEP20003  | Capacitor chip 27pF    |
| C1                           | YZEP20085  | GRM40Y5V225Z16         |
| C2                           | YZEP20012  | Capacitor chip 0.01uF  |
| C3                           | YZEP20029  | Capacitor chip 330pF   |
| C4                           | YZEP20034J | Capacitor chip 390pF   |
| C5                           | YZEP20049  | Capacitor chip 33000pF |
| C6                           | YZEP20035  | Capacitor chip 1uF     |
| C7                           | YZEP20035  | Capacitor chip 1uF     |
| C8                           | YZEP20014  | Capacitor chip 47000pF |
| C9                           | YZEA7276A  | F130                   |
| C01                          | YZEP31100B | Ceramic CAP 10uF/16V   |
| C11                          | YZEP2500   | GRM42D1X3F220JY02L     |

| REF No.                       | PART No.   | PART NAME                |
|-------------------------------|------------|--------------------------|
| C12                           | YZEP20022B | ECJMFF1A226Z             |
| C15                           | YZEP20013  | Capacitor chip 22000pF   |
| C20                           | YZEP20029  | Capacitor chip 330pF     |
| IC                            |            |                          |
| N1                            | YZEP90408  | OZ9RRAGN-A1-0-TR         |
| N2                            | YZEP90410C | AF9945NSLA               |
| TRANSISTOR                    |            |                          |
| D1                            | YZEP1557   | DAN217T146               |
| D2                            | YZEP5749A  | 2N7002-7-F               |
| D3                            | YZEP5806A  | LDAN202UTE               |
| Q1                            | YZEP5073D  | 2SD601A-R                |
| Q2                            | YZEP5706A  | DDTC144EUA-7-F           |
| TRANSFORMER                   |            |                          |
| T1                            | YZEP7098   | SMD-UI9.8(F) TRANSFORMER |
| FUSE                          |            |                          |
| F1                            | YZEA7276   | K12                      |
| SOCKET                        |            |                          |
| CN1                           | YZEP7045   | BHS-2P-PF                |
| CN2                           | YZEP6981   | MOLEX-53261-0490,        |
| <b>PET-1000T IF PCB ASS'Y</b> |            |                          |
| RESISTOR                      |            |                          |
| R1                            | YZEP11054  | Resistor chip 7.5K       |
| R2                            | YZEP11052  | Resistor chip 3K         |
| R3                            | YZEP11004  | Resistor chip 33         |
| R4                            | YZEP11054  | Resistor chip 7.5K       |
| R5                            | YZEP11052  | Resistor chip 3K         |
| R6                            | YZEP11000  | Resistor chip 0          |
| R7                            | YZEP11067  | Resistor chip 200        |
| R8                            | YZEP11140  | Resistor chip 22         |
| R9                            | YZEP11004  | Resistor chip 33         |
| R10                           | YZEP11024  | Resistor chip 330        |
| R11                           | YZEP11006  | Resistor chip 100        |
| R13                           | YZEP11045  | Resistor chip 820        |
| R14                           | YZEP11000  | Resistor chip 0          |
| R15                           | YZEP11010  | Resistor chip 2K         |
| R16                           | YZEP11045  | Resistor chip 820        |
| R17                           | YZEP11052  | Resistor chip 3K         |
| R18                           | YZEP11045  | Resistor chip 820        |
| R19                           | YZEP11067  | Resistor chip 200        |
| R20                           | YZEP11029  | Resistor chip 2.2K       |

The components shown in the remaining pages served as a reference only. It is not meant for ordering of components for servicing purposes. Do not quote any components from these lists.

| REF No. | PART No.  | PART NAME            |
|---------|-----------|----------------------|
| R168    | YZEP11000 | Resistor chip 0      |
| R169    | YZEP11035 | Resistor chip 20K    |
| R170    | YZEP11130 | Resistor chip 390    |
| R171    | YZEP11006 | Resistor chip 100    |
| R172    | YZEP11013 | Resistor chip 10K    |
| R174    | YZEP11000 | Resistor chip 0      |
| R175    | YZEP11000 | Resistor chip 0      |
| R176    | YZEP11005 | Resistor chip 75     |
| R177    | YZEP11000 | Resistor chip 0      |
| R178    | YZEP11209 | Resistor chip 43K    |
| R181    | YZEP11000 | Resistor chip 0      |
| R182    | YZEP20028 | Capacitor chip 220pF |
| R184    | YZEP11013 | Resistor chip 10K    |
| R185    | YZEP11019 | Resistor chip 100K   |
| R186    | YZEP90215 | SL1LTE75LF           |
| R187    | YZEP11142 | Resistor chip 6.2K   |
| R188    | YZEP11000 | Resistor chip 0      |
| R189    | YZEP11000 | Resistor chip 0      |
| R190    | YZEP11019 | Resistor chip 100K   |
| R191    | YZEP11015 | Resistor chip 15K    |
| R192    | YZEP11009 | Resistor chip 1K     |
| R193    | YZEP11015 | Resistor chip 15K    |
| R194    | YZEP11009 | Resistor chip 1K     |
| R195    | YZEP11056 | Resistor chip 30K    |
| R196    | YZEP11056 | Resistor chip 30K    |
| R197    | YZEP11003 | Resistor chip 10     |
| R198    | YZEP11003 | Resistor chip 10     |
| R199    | YZEP11000 | Resistor chip 0      |
| R200    | YZEP11009 | Resistor chip 1K     |
| R201    | YZEP11000 | Resistor chip 0      |
| R202    | YZEP11000 | Resistor chip 0      |
| R204    | YZEP11000 | Resistor chip 0      |
| R205    | YZEP11000 | Resistor chip 0      |
| R206    | YZEP11005 | Resistor chip 75     |
| R207    | YZEP11022 | Resistor chip 470K   |
| R208    | YZEP11022 | Resistor chip 470K   |
| R209    | YZEP11022 | Resistor chip 470K   |
| R212    | YZEP11005 | Resistor chip 75     |
| R214    | YZEP11005 | Resistor chip 75     |
| R215    | YZEP11005 | Resistor chip 75     |

| REF No. | PART No.  | PART NAME            |
|---------|-----------|----------------------|
| R216    | YZEP1078  | Row of resistor 10K  |
| R218    | YZEP11009 | Resistor chip 1K     |
| R219    | YZEP11017 | Resistor chip 33K    |
| R220    | YZEP11397 | Resistor chip 240    |
| R221    | YZEP11054 | Resistor chip 7.5K   |
| R222    | YZEP20028 | Capacitor chip 220pF |
| R223    | YZEP11000 | Resistor chip 0      |
| R225    | YZEP11005 | Resistor chip 75     |
| R226    | YZEP11005 | Resistor chip 75     |
| R227    | YZEP11054 | Resistor chip 7.5K   |
| R228    | YZEP11207 | Resistor chip 0.5    |
| R232    | YZEP11035 | Resistor chip 20K    |
| R235    | YZEP11057 | Resistor chip 51K    |
| R236    | YZEP11015 | Resistor chip 15K    |
| R237    | YZEP11035 | Resistor chip 20K    |
| R238    | YZEP11057 | Resistor chip 51K    |
| R239    | YZEP11039 | Resistor chip 56K    |
| R240    | YZEP11037 | Resistor chip 27K    |
| R241    | YZEP11040 | Resistor chip 68K    |
| R312    | YZEP11004 | Resistor chip 33     |
| R407    | YZEP11013 | Resistor chip 10K    |
| R444    | YZEP11013 | Resistor chip 10K    |
| R454    | YZEP11013 | Resistor chip 10K    |
| R501    | YZEP11018 | Resistor chip 47K    |
| R502    | YZEP11018 | Resistor chip 47K    |
| R513    | YZEP11033 | Resistor chip 6.8K   |
| R514    | YZEP11031 | Resistor chip 3.9K   |
| R515    | YZEP11013 | Resistor chip 10K    |
| R516    | YZEP11019 | Resistor chip 100K   |
| R517    | YZEP11013 | Resistor chip 10K    |
| R518    | YZEP11003 | Resistor chip 10     |
| R519    | YZEP11033 | Resistor chip 6.8K   |
| R520    | YZEP11013 | Resistor chip 10K    |
| R521    | YZEP11031 | Resistor chip 3.9K   |
| R522    | YZEP11019 | Resistor chip 100K   |
| R523    | YZEP11013 | Resistor chip 10K    |
| R526    | YZEP11009 | Resistor chip 1K     |
| R527    | YZEP11009 | Resistor chip 1K     |
| R529    | YZEP11006 | Resistor chip 100    |
| R530    | YZEP11006 | Resistor chip 100    |

The components shown in the remaining pages served as a reference only. It is not meant for ordering of components for servicing purposes. Do not quote any components from these lists.

| REF No.   | PART No.   | PART NAME                  |
|-----------|------------|----------------------------|
| R556      | YZEP11009  | Resistor chip 1K           |
| R557      | YZEP11002  | Resistor chip 4.7          |
| R558      | YZEP11013  | Resistor chip 10K          |
| R559      | YZEP11012  | Resistor chip 4.7K         |
| R560      | YZEP11008  | Resistor chip 470          |
| R567      | YZEP11006  | Resistor chip 100          |
| R568      | YZEP11019  | Resistor chip 100K         |
| R586      | YZEP20061  | Capacitor chip 15000pF     |
| R593      | YZEP11002  | Resistor chip 4.7          |
| RN5       | YZEP11206  | Row of resistor 22         |
| CAPACITOR |            |                            |
| ▲C1       | YZEP20101  | ECJ2FF1C106Z               |
| C2        | YZEP20015  | Capacitor chip 0.1uF       |
| C3        | YZEP30014D | Electrolytic CAP 100uF/16V |
| C4        | YZEP31100B | Ceramic CAP 10uF/16V       |
| C5        | YZEP30014D | Electrolytic CAP 100uF/16V |
| C6        | YZEP20015  | Capacitor chip 0.1uF       |
| C7        | YZEP20015  | Capacitor chip 0.1uF       |
| C8        | YZEP20101  | ECJ2FF1C106Z               |
| C9        | YZEP30014D | Electrolytic CAP 100uF/16V |
| C01       | YZEP20015  | Capacitor chip 0.1uF       |
| C02       | YZEP20015  | Capacitor chip 0.1uF       |
| C04       | YZEP20015  | Capacitor chip 0.1uF       |
| C05       | YZEP20015  | Capacitor chip 0.1uF       |
| C10       | YZEP20101  | ECJ2FF1C106Z               |
| C11       | YZEP20101  | ECJ2FF1C106Z               |
| C12       | YZEP30014D | Electrolytic CAP 100uF/16V |
| C13       | YZEP20101  | ECJ2FF1C106Z               |
| C14       | YZEP20101  | ECJ2FF1C106Z               |
| C15       | YZEP20052  | Capacitor chip 20pF        |
| C16       | YZEP20052  | Capacitor chip 20pF        |
| C17       | YZEP20101  | ECJ2FF1C106Z               |
| C18       | YZEP30006C | Electrolytic CAP 47uF/4V   |
| C19       | YZEP20015  | Capacitor chip 0.1uF       |
| C20       | YZEP20101  | ECJ2FF1C106Z               |
| C21       | YZEP20101  | ECJ2FF1C106Z               |
| C22       | YZEP20101  | ECJ2FF1C106Z               |
| C23       | YZEP20035  | Capacitor chip 1uF         |
| C24       | YZEP20101  | ECJ2FF1C106Z               |
| C25       | YZEP20015  | Capacitor chip 0.1uF       |

| REF No. | PART No.   | PART NAME                  |
|---------|------------|----------------------------|
| C26     | YZEP30004D | 4V/220UF                   |
| C27     | YZEP30004D | 4V/220UF                   |
| C28     | YZEP20015  | Capacitor chip 0.1uF       |
| C29     | YZEP20101  | ECJ2FF1C106Z               |
| C30     | YZEP20101  | ECJ2FF1C106Z               |
| C31     | YZEP20101  | ECJ2FF1C106Z               |
| C32     | YZEP20101  | ECJ2FF1C106Z               |
| C33     | YZEP30004D | 4V/220UF                   |
| C34     | YZEP20101  | ECJ2FF1C106Z               |
| C35     | YZEP30006C | Electrolytic CAP 47uF/4V   |
| C36     | YZEP30006C | Electrolytic CAP 47uF/4V   |
| C37     | YZEP20101  | ECJ2FF1C106Z               |
| C39     | YZEP20052  | Capacitor chip 20pF        |
| C40     | YZEP20002  | Capacitor chip 22pF        |
| C41     | YZEP20101  | ECJ2FF1C106Z               |
| C42     | YZEP20002  | Capacitor chip 22pF        |
| C43     | YZEP20101  | ECJ2FF1C106Z               |
| C44     | YZEP20035  | Capacitor chip 1uF         |
| C45     | YZEP20002  | Capacitor chip 22pF        |
| C46     | YZEP20035  | Capacitor chip 1uF         |
| C47     | YZEP20035  | Capacitor chip 1uF         |
| C49     | YZEP20029  | Capacitor chip 330pF       |
| C50     | YZEP20101  | ECJ2FF1C106Z               |
| C51     | YZEP20029  | Capacitor chip 330pF       |
| C52     | YZEP20101  | ECJ2FF1C106Z               |
| C53     | YZEP20027  | Capacitor chip 150pF       |
| C54     | YZEP20027  | Capacitor chip 150pF       |
| C55     | YZEP30002D | Electrolytic CAP 47uF/6V   |
| C57     | YZEP31100B | Ceramic CAP 10uF/16V       |
| C58     | YZEP20015  | Capacitor chip 0.1uF       |
| C59     | YZEP20101  | ECJ2FF1C106Z               |
| C60     | YZEP20101  | ECJ2FF1C106Z               |
| C61     | YZEP20002  | Capacitor chip 22pF        |
| C62     | YZEP20051  | Capacitor chip 5.1pF       |
| C63     | YZEP20009  | Capacitor chip 1000pF      |
| C64     | YZEP20101  | ECJ2FF1C106Z               |
| C65     | YZEP20101  | ECJ2FF1C106Z               |
| C66     | YZEP20101  | ECJ2FF1C106Z               |
| C67     | YZEP20101  | ECJ2FF1C106Z               |
| C68     | YZEP30014D | Electrolytic CAP 100uF/16V |

The components shown in the remaining pages served as a reference only. It is not meant for ordering of components for servicing purposes. Do not quote any components from these lists.

| REF No. | PART No.   | PART NAME                  |
|---------|------------|----------------------------|
| C69     | YZEP20101  | ECJ2FF1C106Z               |
| C70     | YZEP20101  | ECJ2FF1C106Z               |
| C71     | YZEP20101  | ECJ2FF1C106Z               |
| C72     | YZEP20101  | ECJ2FF1C106Z               |
| C73     | YZEP20101  | ECJ2FF1C106Z               |
| C73A1   | YZEP20057C | TZC03P300A110T00           |
| C74     | YZEP20101  | ECJ2FF1C106Z               |
| C75     | YZEP20051  | Capacitor chip 5.1pF       |
| C76     | YZEP20101  | ECJ2FF1C106Z               |
| C77     | YZEP20101  | ECJ2FF1C106Z               |
| C78     | YZEP20101  | ECJ2FF1C106Z               |
| C79     | YZEP20101  | ECJ2FF1C106Z               |
| C80     | YZEP31100B | Ceramic CAP 10uF/16V       |
| C81     | YZEP20101  | ECJ2FF1C106Z               |
| C82     | YZEP20101  | ECJ2FF1C106Z               |
| C83     | YZEP20101  | ECJ2FF1C106Z               |
| C84     | YZEP20101  | ECJ2FF1C106Z               |
| C86     | YZEP20028  | Capacitor chip 220pF       |
| C87     | YZEP20015  | Capacitor chip 0.1uF       |
| C88     | YZEP20015  | Capacitor chip 0.1uF       |
| C89     | YZEP30014D | Electrolytic CAP 100uF/16V |
| C90     | YZEP20015  | Capacitor chip 0.1uF       |
| C91     | YZEP20035  | Capacitor chip 1uF         |
| C92     | YZEP20018  | Capacitor chip 10pF        |
| C93     | YZEP20101  | ECJ2FF1C106Z               |
| C95     | YZEP20101  | ECJ2FF1C106Z               |
| C97     | YZEP20059  | Capacitor chip 4700pF      |
| C98     | YZEP20015  | Capacitor chip 0.1uF       |
| C99     | YZEP20009  | Capacitor chip 1000pF      |
| C001    | YZEP20018  | Capacitor chip 10pF        |
| C016    | YZEP20015  | Capacitor chip 0.1uF       |
| C020    | YZEP30014D | Electrolytic CAP 100uF/16V |
| C024    | YZEP20015  | Capacitor chip 0.1uF       |
| C077    | YZEP31091D | UZS1C470MCL1GB             |
| C085    | YZEP30014D | Electrolytic CAP 100uF/16V |
| C088    | YZEP20015  | Capacitor chip 0.1uF       |
| C091    | YZEP20101  | ECJ2FF1C106Z               |
| C100    | YZEP20015  | Capacitor chip 0.1uF       |
| C101    | YZEP20015  | Capacitor chip 0.1uF       |
| C102    | YZEP20049  | Capacitor chip 33000pF     |

| REF No. | PART No.   | PART NAME                  |
|---------|------------|----------------------------|
| C103    | YZEP20015  | Capacitor chip 0.1uF       |
| C104    | YZEP20085  | GRM40Y5V225Z16             |
| C105    | YZEP20015  | Capacitor chip 0.1uF       |
| C106    | YZEP20035  | Capacitor chip 1uF         |
| C107    | YZEP20015  | Capacitor chip 0.1uF       |
| C108    | YZEP20101  | ECJ2FF1C106Z               |
| C109    | YZEP20014  | Capacitor chip 47000pF     |
| C110    | YZEP20014  | Capacitor chip 47000pF     |
| C111    | YZEP20017  | Capacitor chip 0.47uF      |
| C112    | YZEP20101  | ECJ2FF1C106Z               |
| C113    | YZEP20101  | ECJ2FF1C106Z               |
| C114    | YZEP20015  | Capacitor chip 0.1uF       |
| C115    | YZEP20006  | Capacitor chip 100pF       |
| C116    | YZEP20029  | Capacitor chip 330pF       |
| C117    | YZEP20034J | Capacitor chip 390pF       |
| C118    | YZEP31100B | Ceramic CAP 10uF/16V       |
| C119    | YZEP31100B | Ceramic CAP 10uF/16V       |
| C120    | YZEP20015  | Capacitor chip 0.1uF       |
| C121    | YZEP11118  | Resistor chip 75K          |
| C122    | YZEP20015  | Capacitor chip 0.1uF       |
| C123    | YZEP20101  | ECJ2FF1C106Z               |
| C124    | YZEP11005  | Resistor chip 75           |
| C125    | YZEP20101  | ECJ2FF1C106Z               |
| C126    | YZEP20101  | ECJ2FF1C106Z               |
| C127    | YZEP31100B | Ceramic CAP 10uF/16V       |
| C129    | YZEP20015  | Capacitor chip 0.1uF       |
| C130    | YZEP30014D | Electrolytic CAP 100uF/16V |
| C132    | YZEP20101  | ECJ2FF1C106Z               |
| C133    | YZEP20101  | ECJ2FF1C106Z               |
| C134    | YZEP20015  | Capacitor chip 0.1uF       |
| C135    | YZEP30014D | Electrolytic CAP 100uF/16V |
| C136    | YZEP20101  | ECJ2FF1C106Z               |
| C137    | YZEP20101  | ECJ2FF1C106Z               |
| C138    | YZEP30010C | 16V/10UF                   |
| C139    | YZEP11118  | Resistor chip 75K          |
| C140    | YZEP30010C | 16V/10UF                   |
| C141    | YZEP30010C | 16V/10UF                   |
| C142    | YZEP30010C | 16V/10UF                   |
| C143    | YZEP20006  | Capacitor chip 100pF       |
| C144    | YZEP30014D | Electrolytic CAP 100uF/16V |



The components shown in the remaining pages served as a reference only. It is not meant for ordering of components for servicing purposes. Do not quote any components from these lists.

| REF No. | PART No.   | PART NAME                  | REF No. | PART No.   | PART NAME                |
|---------|------------|----------------------------|---------|------------|--------------------------|
| C145    | YZEP20015  | Capacitor chip 0.1uF       | C204    | YZEP31100B | Ceramic CAP 10uF/16V     |
| C146    | YZEP30014D | Electrolytic CAP 100uF/16V | C205    | YZEP20015  | Capacitor chip 0.1uF     |
| C147    | YZEP20101  | ECJ2FF1C106Z               | C207    | YZEP11005  | Resistor chip 75         |
| C148    | YZEP20028  | Capacitor chip 220pF       | C214    | YZEP20028  | Capacitor chip 220pF     |
| C149    | YZEP31100B | Ceramic CAP 10uF/16V       | C217    | YZEP20054  | GRM39CH271J50PT          |
| C150    | YZEP20101  | ECJ2FF1C106Z               | C218    | YZEP20054  | GRM39CH271J50PT          |
| C151    | YZEP31100B | Ceramic CAP 10uF/16V       | C219    | YZEP20101  | ECJ2FF1C106Z             |
| C152    | YZEP31100B | Ceramic CAP 10uF/16V       | C233    | YZEP20035  | Capacitor chip 1uF       |
| C153    | YZEP20015  | Capacitor chip 0.1uF       | C234    | YZEP20044  | Capacitor chip 0.22uF    |
| C154    | YZEP31100B | Ceramic CAP 10uF/16V       | C235    | YZEP20015  | Capacitor chip 0.1uF     |
| C155    | YZEP20022B | ECJMFF1A226Z               | C240    | YZEP20012  | Capacitor chip 0.01uF    |
| C156    | YZEP20015  | Capacitor chip 0.1uF       | C241    | YZEP20015  | Capacitor chip 0.1uF     |
| C157    | YZEP20015  | Capacitor chip 0.1uF       | C242    | YZEP20006  | Capacitor chip 100pF     |
| C158    | YZEP20101  | ECJ2FF1C106Z               | C243    | YZEP20035  | Capacitor chip 1uF       |
| C159    | YZEP20035  | Capacitor chip 1uF         | C244    | YZEP20015  | Capacitor chip 0.1uF     |
| C160    | YZEP20101  | ECJ2FF1C106Z               | C245    | YZEP20015  | Capacitor chip 0.1uF     |
| C161    | YZEP30004D | 4V/220UF                   | C246    | YZEP20085  | GRM40Y5V225Z16           |
| C162    | YZEP30004D | 4V/220UF                   | C247    | YZEP20014  | Capacitor chip 47000pF   |
| C163    | YZEP20085  | GRM40Y5V225Z16             | C248    | YZEP20035  | Capacitor chip 1uF       |
| C164    | YZEP20028  | Capacitor chip 220pF       | C249    | YZEP20009  | Capacitor chip 1000pF    |
| C165    | YZEP20015  | Capacitor chip 0.1uF       | C250    | YZEP20009  | Capacitor chip 1000pF    |
| C166    | YZEP20015  | Capacitor chip 0.1uF       | C251    | YZEP20004  | Capacitor chip 30pF      |
| C167    | YZEP20101  | ECJ2FF1C106Z               | C252    | YZEP20009  | Capacitor chip 1000pF    |
| C168    | YZEP20015  | Capacitor chip 0.1uF       | C253    | YZEP20004  | Capacitor chip 30pF      |
| C169    | YZEP31100B | Ceramic CAP 10uF/16V       | C254    | YZEP20015  | Capacitor chip 0.1uF     |
| C173    | YZEP20015  | Capacitor chip 0.1uF       | C255    | YZEP20004  | Capacitor chip 30pF      |
| C176    | YZEP20015  | Capacitor chip 0.1uF       | C281    | YZEP20018  | Capacitor chip 10pF      |
| C177    | YZEP20042  | Capacitor chip 2200pF      | C292    | YZEP20018  | Capacitor chip 10pF      |
| C178    | YZEP20042  | Capacitor chip 2200pF      | C416    | YZEP20101  | ECJ2FF1C106Z             |
| C179    | YZEP20015  | Capacitor chip 0.1uF       | C508    | YZEP30006C | Electrolytic CAP 47uF/4V |
| C180    | YZEP30014D | Electrolytic CAP 100uF/16V | C509    | YZEP30006C | Electrolytic CAP 47uF/4V |
| C183    | YZEP20016  | Capacitor chip 0.33uF      | C510    | YZEP30002D | Electrolytic CAP 47uF/6V |
| C187    | YZEP20035  | Capacitor chip 1uF         | C516    | YZEP20076  | 1800P                    |
| C188    | YZEP20015  | Capacitor chip 0.1uF       | C517    | YZEP20076  | 1800P                    |
| C194    | YZEP31100B | Ceramic CAP 10uF/16V       | C518    | YZEP20048  | Capacitor chip 300pF     |
| C196    | YZEP20028  | Capacitor chip 220pF       | C519    | YZEP20048  | Capacitor chip 300pF     |
| C199    | YZEP30014D | Electrolytic CAP 100uF/16V | C523    | YZEP20015  | Capacitor chip 0.1uF     |
| C201    | YZEP20028  | Capacitor chip 220pF       | C554    | YZEP30006C | Electrolytic CAP 47uF/4V |
| C202    | YZEP20015  | Capacitor chip 0.1uF       | C555    | YZEP30006C | Electrolytic CAP 47uF/4V |
| C203    | YZEP31100B | Ceramic CAP 10uF/16V       | C574    | YZEP20015  | Capacitor chip 0.1uF     |

The components shown in the remaining pages served as a reference only. It is not meant for ordering of components for servicing purposes. Do not quote any components from these lists.

| REF No. | PART No.  | PART NAME            |
|---------|-----------|----------------------|
| CB1     | YZEP20015 | Capacitor chip 0.1uF |
| CB2     | YZEP20015 | Capacitor chip 0.1uF |
| CB3     | YZEP20015 | Capacitor chip 0.1uF |
| CB4     | YZEP20015 | Capacitor chip 0.1uF |
| CB5     | YZEP20015 | Capacitor chip 0.1uF |
| CB6     | YZEP20015 | Capacitor chip 0.1uF |
| CB8     | YZEP20015 | Capacitor chip 0.1uF |
| CB04    | YZEP20015 | Capacitor chip 0.1uF |
| CB05    | YZEP20015 | Capacitor chip 0.1uF |
| CB10    | YZEP20015 | Capacitor chip 0.1uF |
| CB11    | YZEP20015 | Capacitor chip 0.1uF |
| CB13    | YZEP20015 | Capacitor chip 0.1uF |
| CB14    | YZEP20015 | Capacitor chip 0.1uF |
| CB15    | YZEP20015 | Capacitor chip 0.1uF |
| CB19    | YZEP20015 | Capacitor chip 0.1uF |
| CB22    | YZEP20015 | Capacitor chip 0.1uF |
| CB24    | YZEP20015 | Capacitor chip 0.1uF |
| CB26    | YZEP20015 | Capacitor chip 0.1uF |
| CB30    | YZEP20015 | Capacitor chip 0.1uF |
| CB34    | YZEP20015 | Capacitor chip 0.1uF |
| CB36    | YZEP20015 | Capacitor chip 0.1uF |
| CB40    | YZEP20015 | Capacitor chip 0.1uF |
| CB41    | YZEP20015 | Capacitor chip 0.1uF |
| CB44    | YZEP20015 | Capacitor chip 0.1uF |
| CB45    | YZEP20015 | Capacitor chip 0.1uF |
| CB48    | YZEP20015 | Capacitor chip 0.1uF |
| CB57    | YZEP20015 | Capacitor chip 0.1uF |
| CB62    | YZEP20015 | Capacitor chip 0.1uF |
| CB65    | YZEP20015 | Capacitor chip 0.1uF |
| CB66    | YZEP20015 | Capacitor chip 0.1uF |
| CB67    | YZEP20015 | Capacitor chip 0.1uF |
| CB69    | YZEP20015 | Capacitor chip 0.1uF |
| CB74    | YZEP20015 | Capacitor chip 0.1uF |
| CB75    | YZEP20015 | Capacitor chip 0.1uF |
| CB76    | YZEP20015 | Capacitor chip 0.1uF |
| CB77    | YZEP20015 | Capacitor chip 0.1uF |
| CB78    | YZEP20015 | Capacitor chip 0.1uF |
| CB79    | YZEP20015 | Capacitor chip 0.1uF |
| CB85    | YZEP20015 | Capacitor chip 0.1uF |
| CB88    | YZEP20015 | Capacitor chip 0.1uF |

| REF No.  | PART No.  | PART NAME             |
|----------|-----------|-----------------------|
| CB89     | YZEP20015 | Capacitor chip 0.1uF  |
| CB90     | YZEP20015 | Capacitor chip 0.1uF  |
| CB94     | YZEP20015 | Capacitor chip 0.1uF  |
| CB95     | YZEP20009 | Capacitor chip 1000pF |
| CB97     | YZEP20015 | Capacitor chip 0.1uF  |
| CB99     | YZEP20015 | Capacitor chip 0.1uF  |
| CB103    | YZEP20015 | Capacitor chip 0.1uF  |
| CB109    | YZEP20015 | Capacitor chip 0.1uF  |
| CB110    | YZEP20015 | Capacitor chip 0.1uF  |
| CB111    | YZEP20015 | Capacitor chip 0.1uF  |
| CB115    | YZEP20015 | Capacitor chip 0.1uF  |
| CB116    | YZEP20015 | Capacitor chip 0.1uF  |
| CB117    | YZEP20015 | Capacitor chip 0.1uF  |
| CB119    | YZEP20015 | Capacitor chip 0.1uF  |
| CB120    | YZEP20015 | Capacitor chip 0.1uF  |
| CB121    | YZEP20015 | Capacitor chip 0.1uF  |
| CB123    | YZEP20015 | Capacitor chip 0.1uF  |
| CB124    | YZEP20015 | Capacitor chip 0.1uF  |
| CB126    | YZEP20015 | Capacitor chip 0.1uF  |
| CB127    | YZEP20015 | Capacitor chip 0.1uF  |
| CB128    | YZEP20015 | Capacitor chip 0.1uF  |
| CB129    | YZEP20015 | Capacitor chip 0.1uF  |
| CB131    | YZEP20015 | Capacitor chip 0.1uF  |
| CB133    | YZEP20015 | Capacitor chip 0.1uF  |
| CB134    | YZEP20015 | Capacitor chip 0.1uF  |
| CB135    | YZEP20015 | Capacitor chip 0.1uF  |
| CB136    | YZEP20015 | Capacitor chip 0.1uF  |
| CB137    | YZEP20015 | Capacitor chip 0.1uF  |
| CB138    | YZEP20015 | Capacitor chip 0.1uF  |
| CB139    | YZEP20015 | Capacitor chip 0.1uF  |
| CB141    | YZEP20015 | Capacitor chip 0.1uF  |
| CB142    | YZEP20015 | Capacitor chip 0.1uF  |
| CB143    | YZEP20015 | Capacitor chip 0.1uF  |
| CB144    | YZEP20015 | Capacitor chip 0.1uF  |
| CB145    | YZEP20015 | Capacitor chip 0.1uF  |
| CB146    | YZEP20015 | Capacitor chip 0.1uF  |
| CB147    | YZEP20015 | Capacitor chip 0.1uF  |
| INDUCTOR |           |                       |
| L1       | YZEP6808  | 1uH                   |
| L2       | YZEP6808  | 1uH                   |


The components shown in the remaining pages served as a reference only. It is not meant for ordering of components for servicing purposes. Do not quote any components from these lists.

| REF No. | PART No.  | PART NAME               |
|---------|-----------|-------------------------|
| L3      | YZEP6659  | Impedance at 100MHz:600 |
| L4      | YZEP6659  | Impedance at 100MHz:600 |
| L5      | YZEP6659  | Impedance at 100MHz:600 |
| L6      | YZEP6659  | Impedance at 100MHz:600 |
| L7      | YZEP6808  | 1uH                     |
| L8      | YZEP6659  | Impedance at 100MHz:600 |
| L02     | YZEP6659  | Impedance at 100MHz:600 |
| L11     | YZEP6659  | Impedance at 100MHz:600 |
| L12     | YZEP6659  | Impedance at 100MHz:600 |
| L13     | YZEP6659  | Impedance at 100MHz:600 |
| L14     | YZEP6659  | Impedance at 100MHz:600 |
| L15     | YZEP6659  | Impedance at 100MHz:600 |
| L16     | YZEP6659  | Impedance at 100MHz:600 |
| L17     | YZEP6659  | Impedance at 100MHz:600 |
| L18     | YZEP6659  | Impedance at 100MHz:600 |
| L19     | YZEP6659  | Impedance at 100MHz:600 |
| L20     | YZEP6659  | Impedance at 100MHz:600 |
| L21     | YZEP6659  | Impedance at 100MHz:600 |
| L22     | YZEP6659  | Impedance at 100MHz:600 |
| L23     | YZEP6659  | Impedance at 100MHz:600 |
| L24     | YZEP6659  | Impedance at 100MHz:600 |
| L25     | YZEP6659  | Impedance at 100MHz:600 |
| L26     | YZEP11002 | Resistor chip 4.7       |
| L27     | YZEP6659  | Impedance at 100MHz:600 |
| L28     | YZEP6659  | Impedance at 100MHz:600 |
| L29     | YZEP6659  | Impedance at 100MHz:600 |
| L30     | YZEP6659  | Impedance at 100MHz:600 |
| L31     | YZEP6659  | Impedance at 100MHz:600 |
| L32     | YZEP6659  | Impedance at 100MHz:600 |
| L33     | YZEP6659  | Impedance at 100MHz:600 |
| L34     | YZEP6659  | Impedance at 100MHz:600 |
| L35     | YZEP6817  | Impedance at 100MHz:60  |
| L36     | YZEP6659  | Impedance at 100MHz:600 |
| L37     | YZEP60003 | 33uH                    |
| L38     | YZEP6659  | Impedance at 100MHz:600 |
| L39     | YZEP6659  | Impedance at 100MHz:600 |
| L40     | YZEP60003 | 33uH                    |
| L41     | YZEP6659  | Impedance at 100MHz:600 |
| L42     | YZEP6659  | Impedance at 100MHz:600 |
| L43     | YZEP6659  | Impedance at 100MHz:600 |

| REF No.    | PART No.   | PART NAME               |
|------------|------------|-------------------------|
| L44        | YZEP6659   | Impedance at 100MHz:600 |
| L45        | YZEP6670   | 220uH                   |
| L46        | YZEP6659   | Impedance at 100MHz:600 |
| L49        | YZEP6817   | Impedance at 100MHz:60  |
| L50        | YZEP6817   | Impedance at 100MHz:60  |
| L51        | YZEP6681   | 100uH                   |
| L52        | YZEP60034A | NLV25T-2R7J-PF          |
| L53        | YZEP6659   | Impedance at 100MHz:600 |
| L59        | YZEP6659   | Impedance at 100MHz:600 |
| L60        | YZEP6659   | Impedance at 100MHz:600 |
| L62        | YZEP6659   | Impedance at 100MHz:600 |
| L63        | YZEP6659   | Impedance at 100MHz:600 |
| L64        | YZEP6659   | Impedance at 100MHz:600 |
| L65        | YZEP7129   | SMTDRRI6D38-100N-SN     |
| L005       | YZEP60003  | 33uH                    |
| L015       | YZEP6659   | Impedance at 100MHz:600 |
| TRANSISTOR |            |                         |
| VD1        | YZEP5722   | RB060L-40               |
| VD2        | YZEP5722   | RB060L-40               |
| VD3        | YZEP5073D  | 2SD601A-R               |
| VD4        | YZEP5722   | RB060L-40               |
| VD5        | YZEP5817   | A03401L                 |
| VD6        | YZEP1219   | 1N5402TG                |
| VD7        | YZEP1200   | 1SS355TE17              |
| VD8        | YZEP1566A  | CRG03                   |
| VD9        | YZEP5766D  | STZ6.2N                 |
| VD01       | YZEA1610   | F2X4 LED                |
| VD10       | YZEP5067   | KTA1298                 |
| VD11       | YZEP5067   | KTA1298                 |
| VD12       | YZEP1200   | 1SS355TE17              |
| VD13       | YZEP5708   | DTA124EUAT106           |
| VD14       | YZEP5700   | 2SB709AR                |
| VD15       | YZEP5706A  | DDTC144EUA-7-F          |
| VD16       | YZEP5073D  | 2SD601A-R               |
| VD17       | YZEP5766D  | STZ6.2N                 |
| VD18       | YZEP5766D  | STZ6.2N                 |
| VD19       | YZEP5766D  | STZ6.2N                 |
| VD20       | YZEP5073D  | 2SD601A-R               |
| VD21       | YZEP5073D  | 2SD601A-R               |
| VD22       | YZEP5766D  | STZ6.2N                 |



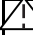
The components shown in the remaining pages served as a reference only. It is not meant for ordering of components for servicing purposes. Do not quote any components from these lists.

| REF No.  | PART No.   | PART NAME           |
|--|------------|---------------------|
| VD23   | YZEP5766D  | STZ6.2N             |
| VD24   | YZEP5817   | A03401L             |
| VD25   | YZEP5766D  | STZ6.2N             |
| VD26   | YZEP5067   | KTA1298             |
| VD27   | YZEP5766D  | STZ6.2N             |
| VD28   | YZEP5766D  | STZ6.2N             |
| VD29   | YZEP5766D  | STZ6.2N             |
| VD31   | YZEP5706D  | DDTC144EUA-7-F      |
| VD32   | YZEP1200   | 1SS355TE17          |
| VD33   | YZEP1200   | 1SS355TE17          |
| VD34   | YZEP5766D  | STZ6.2N             |
| VD35   | YZEP1200   | 1SS355TE17          |
| VD36   | YZEP5766D  | STZ6.2N             |
| VD37   | YZEP5766D  | STZ6.2N             |
| VD38   | YZEP5766D  | STZ6.2N             |
| VD39   | YZEP5766D  | STZ6.2N             |
| VD40   | YZEP5706D  | DDTC144EUA-7-F      |
| VD003  | YZEP5722   | RB060L-40           |
| VD004  | YZEP5722   | RB060L-40           |
| VD024  | YZEP5706A  | DDTC144EUA-7-F      |
| VD407  | YZEP5067   | KTA1298             |
| VD501  | YZEP5766D  | STZ6.2N             |
| VD502  | YZEP5766D  | STZ6.2N             |
| VD509  | YZEP5073D  | 2SD601A-R           |
| VD510  | YZEP5073D  | 2SD601A-R           |
| VD520  | YZEP5073D  | 2SD601A-R           |
| VD521  | YZEP1200   | 1SS355TE17          |
| VD522  | YZEP1200   | 1SS355TE17          |
| VD524  | YZEP5067   | KTA1298             |
| VD525  | YZEP1200   | 1SS355TE17          |
| VD535  | YZEP5766D  | STZ6.2N             |
| FUSE   |            |                     |
|  F003 | YZEP60088A | F1206SB3000V032T    |
| F005   | YZEP60089A | F1206FA5000V032T    |
| FILTER   |            |                     |
| FM001  | YZEA6916   | LV-R0489            |
| CRYSTAL OSCILLATOR   |            |                     |
| G2   | YZEA6603A  | HC-49/S27.000MHZ-AT |
| Y1   | YZEA7468   | HC-49/S13.500MHZ    |
| POTENTIOMETERS   |            |                     |

| REF No. | PART No.   | PART NAME            |
|---------|------------|----------------------|
| VR1     | YZEA0654   | WH10XB-2-20K         |
| SWITCH  |            |                      |
| SW1     | YZEP6983A  | SW1AF-360-T10        |
| SW3     | YZEP6983A  | SW1AF-360-T10        |
| SW01    | YZEP60078  | SSSS710603           |
| IC      |            |                      |
| D1      | YZEP4581   | TC4W53FUF            |
| D3      | YZEP90352  | AP1117E18LA          |
| D6      | YZEP90495  | BQ24103              |
| D02     | YZEP90505  | PCM1753DBQR          |
| D10     | YZEP90496  | BD9303FP             |
| D11     | YZEP90566  | MT1389DE/H-L         |
| D001    | YZEP90159  | 24IIC02              |
| D002    | YZEP4516B  | 74HCU04D.653         |
| D003    | YZEP90007D | CMD5954-PF           |
| D004    | YZEP90515  | HY57V641620ETP-H     |
| D005    | YZEP90353  | MX29LV160ABTC-70     |
| N1      | YZEP5759B  | AO4801L              |
| N2      | YZEP90018B | HWD4863              |
| N3      | YZEP90072F | BA33BC0FP-E2         |
| N4      | YZEP90092C | BA50BC0FP-E2         |
| N5      | YZEP4530J  | AZ4558BM-E1          |
| N6      | YZEP5714   | FMC3AT148            |
| N7      | YZEP90642  | UPD5300G             |
| N8      | YZEP90351  | AP1117D33LA          |
| N9      | YZEP90371  | 74LV4052PW           |
| N01     | YZEP90327A | BA50BC0WFP-E2        |
| N10     | YZEP90110  | BA7660FS-E2          |
| N20     | YZEP5714   | FMC3AT148            |
| N406    | YZEA6733   | HS0038B              |
| N501    | YZEP4530J  | AZ4558BM-E1          |
| SOCKET  |            |                      |
| JS1     | YZEA6704A  | CK35-17 SOCKET       |
| JS2     | YZEA7302C  | CK35-19 3 PIN SOCKET |
| JS3     | YZEA7677   | DC-5V SOCKET         |
| JS4     | YZEA6704A  | CK35-17 SOCKET       |
| JS5     | YZEA6905B  | CK35-15 SOCKET       |
| JS6     | YZEA7302C  | CK35-19 3 PIN SOCKET |
| JS8     | YZEA7302C  | CK35-19 3 PIN SOCKET |
| JS001   | YZEA6663D  | DC-10-A POWER SOCKET |

The components shown in the remaining pages served as a reference only. It is not meant for ordering of components for servicing purposes. Do not quote any components from these lists.

| REF No.                      | PART No.   | PART NAME              |
|------------------------------|------------|------------------------|
| XS                           | YZEA9482   | DVD1210 10 PINS SOCKET |
| XS1                          | YZEP60081  | 53261-0890             |
| XS2                          | YZEP60038  | GF055-SS-LSS           |
| XS3                          | YZEP60042  | MOLEX-53261-1090       |
| XS4                          | YZEP6975   | MOLEX-53261-0290       |
| XS5                          | YZEP60042  | MOLEX-53261-1090       |
| XS6                          | YZEP60083  | SM20B-SURS-TF-PF       |
| XS8                          | YZEP7050A  | YSMC002AOW             |
| XS10                         | YZEP60083  | SM20B-SURS-TF-PF       |
| XS001                        | YZEP6975   | MOLEX-53261-0290       |
| XS002                        | YZEA7558   | MZ517-4A-4 USB SOCKET  |
| XS003                        | YZEA7545   | DVD1210 MALE SOCKET    |
| XS008                        | YZEP60061  | 53261-0690             |
| <b>DVD1200H HV PCB ASS'Y</b> |            |                        |
| RESISTOR                     |            |                        |
| R1                           | YZEP11019  | Resistor chip 100K     |
| R2                           | YZEP11035  | Resistor chip 20K      |
| R3                           | YZEP11019  | Resistor chip 100K     |
| R4                           | YZEP11057  | Resistor chip 51K      |
| R5                           | YZEP11023  | Resistor chip 1M       |
| R7                           | YZEP11019  | Resistor chip 100K     |
| R8                           | YZEP11117  | Resistor chip 510      |
| R9                           | YZEP11344  | Resistor chip 3K       |
| R11                          | YZEP11057  | Resistor chip 51K      |
| R12                          | YZEP11013  | Resistor chip 10K      |
| R13                          | YZEP11004  | Resistor chip 33       |
| R14                          | YZEP11004  | Resistor chip 33       |
| CAPACITOR                    |            |                        |
| C0                           | YZEP20003  | Capacitor chip 27pF    |
| C1                           | YZEP20085  | GRM40Y5V225Z16         |
| C2                           | YZEP20012  | Capacitor chip 0.01uF  |
| C3                           | YZEP20029  | Capacitor chip 330pF   |
| C4                           | YZEP20034J | Capacitor chip 390pF   |
| C5                           | YZEP20049  | Capacitor chip 33000pF |
| C6                           | YZEP20035  | Capacitor chip 1uF     |
| C7                           | YZEP20035  | Capacitor chip 1uF     |
| C8                           | YZEP20014  | Capacitor chip 47000pF |
| C9                           | YZEA7276A  | F130                   |
| C01                          | YZEP31100B | Ceramic CAP 10uF/16V   |
| C11                          | YZEP2500   | GRM42D1X3F220JY02L     |

| REF No.  | PART No.   | PART NAME                |
|--|------------|--------------------------|
| C12  | YZEP20022B | ECJMFF1A226Z             |
| C15  | YZEP20013  | Capacitor chip 22000pF   |
| C20  | YZEP20029  | Capacitor chip 330pF     |
| IC   |            |                          |
| N1   | YZEP90408  | OZ9RRAGN-A1-0-TR         |
| N2   | YZEP90410C | AF9945NSLA               |
| TRANSISTOR   |            |                          |
| D1   | YZEP1557   | DAN217T146               |
| D2   | YZEP5749A  | 2N7002-7-F               |
| D3   | YZEP5806A  | LDAN202UTE               |
| Q1   | YZEP5073D  | 2SD601A-R                |
| Q2   | YZEP5706A  | DDTC144EUA-7-F           |
| TRANSFORMER  |            |                          |
|  T1 | YZEP7098   | SMD-UI9.8(F) TRANSFORMER |
| FUSE   |            |                          |
| F1   | YZEA7276   | K12                      |
| SOCKET   |            |                          |
| CN1  | YZEP7045   | BHS-2P-PF                |
| CN2  | YZEP6981   | MOLEX-53261-0490,        |
| <b>PET-1000T IF PCB ASS'Y</b>  |            |                          |
| RESISTOR   |            |                          |
| R1   | YZEP11054  | Resistor chip 7.5K       |
| R2   | YZEP11052  | Resistor chip 3K         |
| R3   | YZEP11004  | Resistor chip 33         |
| R4   | YZEP11054  | Resistor chip 7.5K       |
| R5   | YZEP11052  | Resistor chip 3K         |
| R6   | YZEP11000  | Resistor chip 0          |
| R7   | YZEP11067  | Resistor chip 200        |
| R8   | YZEP11140  | Resistor chip 22         |
| R9   | YZEP11004  | Resistor chip 33         |
| R10  | YZEP11024  | Resistor chip 330        |
| R11  | YZEP11006  | Resistor chip 100        |
| R13  | YZEP11045  | Resistor chip 820        |
| R14  | YZEP11000  | Resistor chip 0          |
| R15  | YZEP11010  | Resistor chip 2K         |
| R16  | YZEP11045  | Resistor chip 820        |
| R17  | YZEP11052  | Resistor chip 3K         |
| R18  | YZEP11045  | Resistor chip 820        |
| R19  | YZEP11067  | Resistor chip 200        |
| R20  | YZEP11029  | Resistor chip 2.2K       |

The components shown in the remaining pages served as a reference only. It is not meant for ordering of components for servicing purposes. Do not quote any components from these lists.

| REF No. | PART No.  | PART NAME               |
|---------|-----------|-------------------------|
| R21     | YZEP11009 | Resistor chip 1K        |
| R22     | YZEP11140 | Resistor chip 22        |
| R23     | YZEP11015 | Resistor chip 15K       |
| R24     | YZEP11024 | Resistor chip 330       |
| R25     | YZEP11004 | Resistor chip 33        |
| R26     | YZEP11072 | Resistor chip 300       |
| R27     | YZEP11072 | Resistor chip 300       |
| R28     | YZEP11006 | Resistor chip 100       |
| R30     | YZEP11000 | Resistor chip 0         |
| R31     | YZEP11000 | Resistor chip 0         |
| R32     | YZEP11000 | Resistor chip 0         |
| R33     | YZEP11051 | Resistor chip 1.5K      |
| R34     | YZEP11051 | Resistor chip 1.5K      |
| R35     | YZEP11000 | Resistor chip 0         |
| R36     | YZEP11045 | Resistor chip 820       |
| R37     | YZEP11004 | Resistor chip 33        |
| R38     | YZEP11038 | Resistor chip 39K       |
| R39     | YZEP11038 | Resistor chip 39K       |
| R40     | YZEP11038 | Resistor chip 39K       |
| R41     | YZEP11038 | Resistor chip 39K       |
| R42     | YZEP11019 | Resistor chip 100K      |
| R43     | YZEP11048 | Resistor chip 120       |
| R44     | YZEP11008 | Resistor chip 470       |
| R45     | YZEP11044 | Resistor chip 220K      |
| R46     | YZEP11017 | Resistor chip 33K       |
| R47     | YZEP11019 | Resistor chip 100K      |
| R48     | YZEP11017 | Resistor chip 33K       |
| R49     | YZEP11048 | Resistor chip 120       |
| R50     | YZEP11008 | Resistor chip 470       |
| R51     | YZEP11042 | Resistor chip 120K      |
| R52     | YZEP11399 | Resistor chip 510       |
| R53     | YZEP6659  | Impedance at 100MHz:600 |
| R54     | YZEP11006 | Resistor chip 100       |
| R55     | YZEP11000 | Resistor chip 0         |
| R56     | YZEP11015 | Resistor chip 15K       |
| R57     | YZEP11003 | Resistor chip 10        |
| R58     | YZEP11019 | Resistor chip 100K      |
| R59     | YZEP11038 | Resistor chip 39K       |
| R60     | YZEP11034 | Resistor chip 18K       |
| R61     | YZEP11017 | Resistor chip 33K       |

| REF No.   | PART No.   | PART NAME             |
|-----------|------------|-----------------------|
| R62       | YZEP11017  | Resistor chip 33K     |
| R64       | YZEP11034  | Resistor chip 18K     |
| R65       | YZEP11013  | Resistor chip 10K     |
| R66       | YZEP11038  | Resistor chip 39K     |
| R67       | YZEP11040  | Resistor chip 68K     |
| R68       | YZEP11040  | Resistor chip 68K     |
| CAPACITOR |            |                       |
| C1        | YZEP31100B | Ceramic CAP 10uF/16V  |
| C2        | YZEP31100B | Ceramic CAP 10uF/16V  |
| C3        | YZEP31100B | Ceramic CAP 10uF/16V  |
| C4        | YZEP31100B | Ceramic CAP 10uF/16V  |
| C5        | YZEP20035  | Capacitor chip 1uF    |
| C6        | YZEP20035  | Capacitor chip 1uF    |
| C7        | YZEP20006  | Capacitor chip 100pF  |
| C8        | YZEP20059  | Capacitor chip 4700pF |
| C9        | YZEP20029  | Capacitor chip 330pF  |
| C10       | YZEP20006  | Capacitor chip 100pF  |
| C11       | YZEP20059  | Capacitor chip 4700pF |
| C12       | YZEP20029  | Capacitor chip 330pF  |
| C13       | YZEP20035  | Capacitor chip 1uF    |
| C14       | YZEP20035  | Capacitor chip 1uF    |
| C15       | YZEP31100B | Ceramic CAP 10uF/16V  |
| C16       | YZEP31100B | Ceramic CAP 10uF/16V  |
| C17       | YZEP31100B | Ceramic CAP 10uF/16V  |
| C18       | YZEP31100B | Ceramic CAP 10uF/16V  |
| C19       | YZEP31100B | Ceramic CAP 10uF/16V  |
| C20       | YZEP20015  | Capacitor chip 0.1uF  |
| C21       | YZEP31100B | Ceramic CAP 10uF/16V  |
| C22       | YZEP31100B | Ceramic CAP 10uF/16V  |
| C23       | YZEP31100B | Ceramic CAP 10uF/16V  |
| C24       | YZEP31100B | Ceramic CAP 10uF/16V  |
| C25       | YZEP20009  | Capacitor chip 1000pF |
| C26       | YZEP20012  | Capacitor chip 0.01uF |
| C27       | YZEP20015  | Capacitor chip 0.1uF  |
| C28       | YZEP20012  | Capacitor chip 0.01uF |
| C29       | YZEP20009  | Capacitor chip 1000pF |
| C30       | YZEP31100B | Ceramic CAP 10uF/16V  |
| C31       | YZEP20015  | Capacitor chip 0.1uF  |
| C32       | YZEP31100B | Ceramic CAP 10uF/16V  |
| C34       | YZEP20015  | Capacitor chip 0.1uF  |

The components shown in the remaining pages served as a reference only. It is not meant for ordering of components for servicing purposes. Do not quote any components from these lists.

| REF No.  | PART No.   | PART NAME               |
|----------|------------|-------------------------|
| C36      | YZEP31100B | Ceramic CAP 10uF/16V    |
| C40      | YZEP31100B | Ceramic CAP 10uF/16V    |
| C41      | YZEP20035  | Capacitor chip 1uF      |
| C43      | YZEP31100B | Ceramic CAP 10uF/16V    |
| C44      | YZEP20015  | Capacitor chip 0.1uF    |
| C46      | YZEP31100B | Ceramic CAP 10uF/16V    |
| C50      | YZEP20029  | Capacitor chip 330pF    |
| C51      | YZEP20015  | Capacitor chip 0.1uF    |
| C52      | YZEP20018  | Capacitor chip 10pF     |
| CB1      | YZEP20015  | Capacitor chip 0.1uF    |
| CB2      | YZEP20015  | Capacitor chip 0.1uF    |
| CB3      | YZEP20015  | Capacitor chip 0.1uF    |
| CB4      | YZEP20015  | Capacitor chip 0.1uF    |
| CB5      | YZEP20015  | Capacitor chip 0.1uF    |
| CB6      | YZEP20015  | Capacitor chip 0.1uF    |
| CB7      | YZEP20015  | Capacitor chip 0.1uF    |
| CB8      | YZEP20015  | Capacitor chip 0.1uF    |
| CB9      | YZEP20015  | Capacitor chip 0.1uF    |
| CB10     | YZEP20015  | Capacitor chip 0.1uF    |
| CB11     | YZEP20015  | Capacitor chip 0.1uF    |
| CB12     | YZEP20015  | Capacitor chip 0.1uF    |
| CB13     | YZEP20015  | Capacitor chip 0.1uF    |
| CB14     | YZEP20015  | Capacitor chip 0.1uF    |
| CB15     | YZEP20015  | Capacitor chip 0.1uF    |
| CB16     | YZEP20012  | Capacitor chip 0.01uF   |
| CB17     | YZEP20009  | Capacitor chip 1000pF   |
| CB18     | YZEP20015  | Capacitor chip 0.1uF    |
| CB19     | YZEP20012  | Capacitor chip 0.01uF   |
| CB20     | YZEP20015  | Capacitor chip 0.1uF    |
| CB23     | YZEP20015  | Capacitor chip 0.1uF    |
| INDUCTOR |            |                         |
| L1       | YZEP6698   | 33uH                    |
| L2       | YZEP6698   | 33uH                    |
| L3       | YZEP6698   | 33uH                    |
| L4       | YZEP6698   | 33uH                    |
| L5       | YZEP6698   | 33uH                    |
| L6       | YZEP6681   | 100uH                   |
| L7       | YZEP6680   | 47uH                    |
| L8       | YZEP6659   | Impedance at 100MHz:600 |
| L9       | YZEP6698   | 33uH                    |

| REF No.        | PART No.  | PART NAME          |
|----------------|-----------|--------------------|
| TRANSISTOR     |           |                    |
| VD1            | YZEP5700  | 2SB709AR           |
| VD2            | YZEP1200  | 1SS355TE17         |
| VD3            | YZEP5700  | 2SB709AR           |
| VD4            | YZEP1200  | 1SS355TE17         |
| VD5            | YZEP1592  | BAV99-7-F          |
| VD6            | YZEP5773A | UDZ7V5B            |
| VD7            | YZEP1592  | BAV99-7-F          |
| VD8            | YZEP5768  | STD1766Y-PF        |
| VD9            | YZEP5713  | 2SC2412KT146R      |
| VD10           | YZEP5713  | 2SC2412KT146R      |
| VD11           | YZEP5713  | 2SC2412KT146R      |
| POTENTIOMETERS |           |                    |
| VR1            | YZEP0620A | TMC3K-B50K-TR      |
| VR2            | YZEP0619A | TMC3K-B5K-TR       |
| IC             |           |                    |
| N1             | YZEP4513  | NJM4580E-TE2       |
| N2             | YZEP4592  | TL1453CPWRG4       |
| N3             | YZEP90351 | AP1117D33LA        |
| SOCKET         |           |                    |
| XS             | YZEA9390  | HV CONNECTION WIRE |
| XS2            | YZEP6849  | MOLEX-52437-3091   |
| XS3            | YZEP6849  | MOLEX-52437-3091   |
| XS4            | YZEP60083 | SM20B-SURS-TF-PF   |
| XS5            | YZEP60083 | SM20B-SURS-TF-PF   |

# **HITACHI**

**Inspire the Next**